

Ensto Compact switch-disconnectors, panel and DIN rail mounted

Ensto Compact switch-disconnectors, 4th pole

PRODUCT CODE	AMPERAGE (A)	CONDUCTOR CROSS-SECTION (MM ²)	TIGHTENING TORQUE (Nm)	MOUNTING	SIZE (MM)	WEIGHT (KG)	PACKAGE SIZE (PCS)	EAN 13 CODE
KS1.16	16 A	Cu 1.5-16 mm ²	2 Nm	Din rail/screw	13 x 56 x 72	0.046	50	6418677171253
KS1.20	20 A	Cu 1.5-16 mm ²	2 Nm	Din rail/screw	13 x 56 x 72	0.046	50	6418677171260
KS1.25	25 A	Cu 1.5-16 mm ²	2 Nm	Din rail/screw	13 x 56 x 72	0.046	50	6418677170065
KS1.32	32 A	Cu 1.5-16 mm ²	2 Nm	Din rail/screw	13 x 56 x 72	0.046	50	6418677171277
KS1.40	40 A	Cu 1.5-16 mm ²	2 Nm	Din rail/screw	13 x 56 x 72	0.046	50	6418677170072
KS1.63	63 A	Cu 1.5-16 mm ²	2 Nm	Din rail/screw	13 x 56 x 72	0.046	50	6418677170089
KSM1.63	63 A	Cu 10-50 mm ²	4 Nm	Din rail/screw	18 x 62 x 83	0.095	50	6418677169786
KSM1.80	80 A	Cu 10-50 mm ²	4 Nm	Din rail/screw	18 x 62 x 83	0.095	50	6418677169793
KSM1.100	100 A	Cu 10-50 mm ²	4 Nm	Din rail/screw	18 x 62 x 83	0.095	50	6418677169809



KS1.63



KSM1.63

Additional poles

PRODUCT CODE	DESCRIPTION	AMPERAGE (A)	TIGHTENING TORQUE (Nm)	WEIGHT (KG)	PACKAGE SIZE (PCS)	EAN 13 CODE
Switched neutral poles						
KS1N	For KS3- and KS31 switches	Max. 63 A	2 Nm	0.046	50	6438100094300
KSM1N	For KSM switch	Max. 125 A	4 Nm	0.095	50	6438100094324
Fixed neutral poles						
KSN1	For KS3- and KS31 switches	Max. 63 A	2 Nm	0.042	50	6418677170126
KSMN1	For KSM switch	Max. 125 A	4 Nm	0.087	50	6418677169823
Fixed PE poles						
KSP1	For KS3- and KS31 switches	Max. 63 A	2 Nm	0.042	50	6418677170140
KSMP1	For KSM switch	Max. 125 A	4 Nm	0.087	50	6418677169830
Standard auxiliary contact						
KSA1	NO+NC auxiliary contact 16 A for 16-125 A switches	16 A	2 Nm	0.051	50	6418677170164



Switched neutral pole, KS1N.



Fixed neutral pole, KSN1.



Fixed PE pole KSP1.

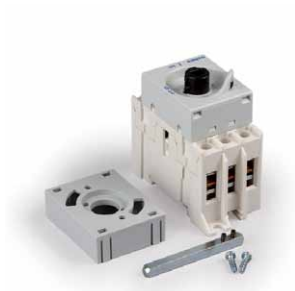


Standard auxiliary contact, KSA1.

Ensto Compact switch-disconnectors, direct door mounted

Ensto Compact switch-disconnectors, 3-pole, direct door mounted

PRODUCT CODE	AMPERAGE (A)	CONDUCTOR CROSS-SECTION (MM ²)	TIGHTENING TORQUE (Nm)	MOUNTING	SIZE (MM)	WEIGHT (KG)	PACKAGE SIZE (PCS)	EAN 13 CODE
KSM1.125	125 A	Cu 10-50 mm ²	4 Nm	Din rail/screw	18 x 62 x 83	0.095	50	6418677169816
KS13.16	3 x 16 A	Cu 1.5-16 mm ²	2 Nm	Din rail/screw	40 x 80 x 72	0.149	50	6418677171161
KS13.20	3 x 20 A	Cu 1.5-16 mm ²	2 Nm	Din rail/screw	40 x 80 x 72	0.149	50	6418677171178
KS13.25	3 x 25 A	Cu 1.5-16 mm ²	2 Nm	Din rail/screw	40 x 80 x 72	0.149	50	6418677170034
KS13.32	3 x 32 A	Cu 1.5-16 mm ²	2 Nm	Din rail/screw	40 x 80 x 72	0.149	50	6418677171246
KS13.40	3 x 40 A	Cu 1.5-16 mm ²	2 Nm	Din rail/screw	40 x 80 x 72	0.149	50	6418677170041



KS13.16

Ensto Compact switch-disconnectors, 4th pole

PRODUCT CODE	AMPERAGE (A)	CONDUCTOR CROSS-SECTION (MM ²)	TIGHTENING TORQUE (Nm)	MOUNTING	SIZE (MM)	WEIGHT (KG)	PACKAGE SIZE (PCS)	EAN 13 CODE
KS13.63	3 x 63 A	Cu 1.5-16 mm ²	2 Nm	Din rail/screw	40 x 80 x 72	0.149	50	6418677170058
KS11.16	16 A	Cu 1.5-16 mm ²	2 Nm	Din rail/screw	13 x 56 x 72	0.045	50	6418677171130
KS11.20	20 A	Cu 1.5-16 mm ²	2 Nm	Din rail/screw	13 x 56 x 72	0.045	50	6418677171147
KS11.25	25 A	Cu 1.5-16 mm ²	2 Nm	Din rail/screw	13 x 56 x 72	0.045	50	6418677170096
KS11.32	32 A	Cu 1.5-16 mm ²	2 Nm	Din rail/screw	13 x 56 x 72	0.045	50	6418677171154
KS11.40	40 A	Cu 1.5-16 mm ²	2 Nm	Din rail/screw	13 x 56 x 72	0.045	50	6418677170102
KS11.63	63 A	Cu 1.5-16 mm ²	2 Nm	Din rail/screw	13 x 56 x 72	0.045	50	6418677170119



KS11.16

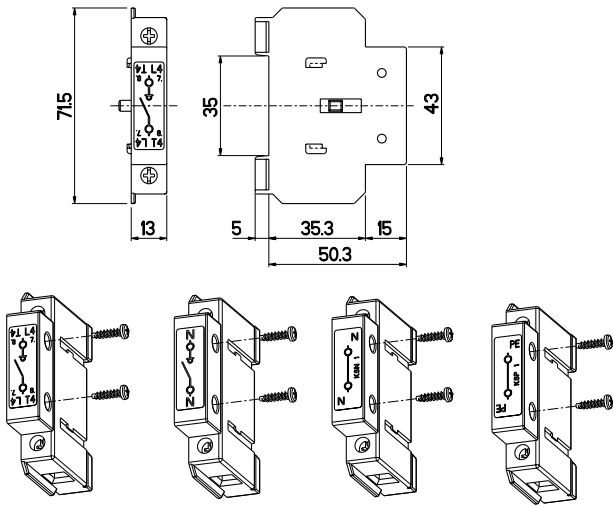
Accessories

PRODUCT CODE	DESCRIPTION	AMPERAGE (A)	TIGHTENING TORQUE (Nm)	WEIGHT (KG)	PACKAGE SIZE (PCS)	EAN 13 CODE
Additional poles						
KS11N	Switched neutral pole	Max. 63 A	2 Nm	0.042	50	6438100094317
KSN11	Fixed neutral pole	Max. 63 A	2 Nm	0.042	50	6418677170133
KSP11	Fixed PE pole	Max. 63 A	2 Nm	0.042	50	6418677170157
KSA11	NO+NC auxiliary contact	16 A	2 Nm	0.051	50	6418677170171
Handles						
KSH48	Padlockable, IP 65, yellow with red handle, 0 OFF / 1 ON			0.043	100	6418677170195
KSH48.01	Padlockable, IP 65, black, 0 OFF / 1 ON			0.043	100	6418677170201
Terminal shrouds						
PMR121	Terminal shroud for KS1 and KS11 poles			0.004	100	6418677171598
PMR123	Terminal shroud for KS3, KS31 and KS13 switch			0.008	100	6418677171604

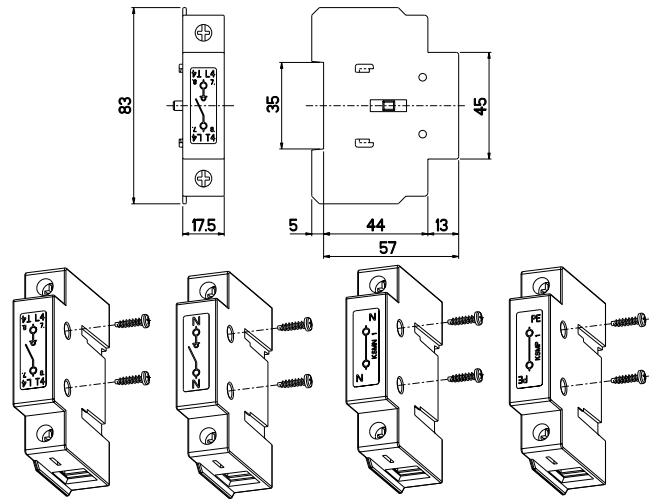
Technical drawings, Ensto Compact switch-disconnectors

Dimensions in mm

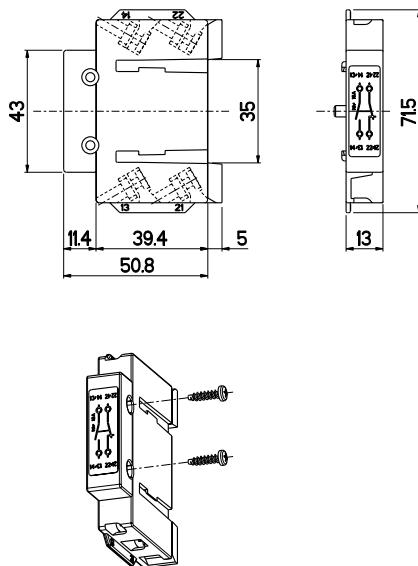
KS1.xx, KS1N, KSN1, KSP1



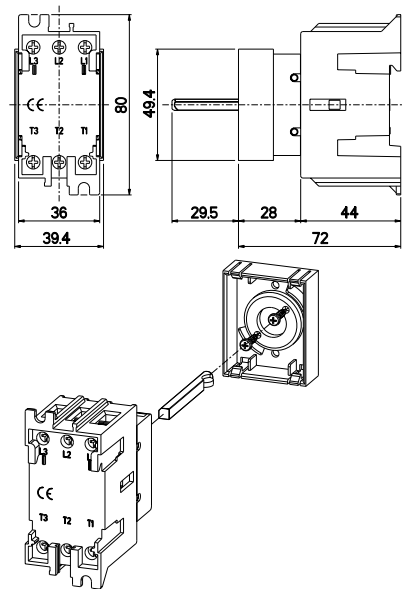
KSM1.xxx, KSM1N, KSMN1, KSMP1



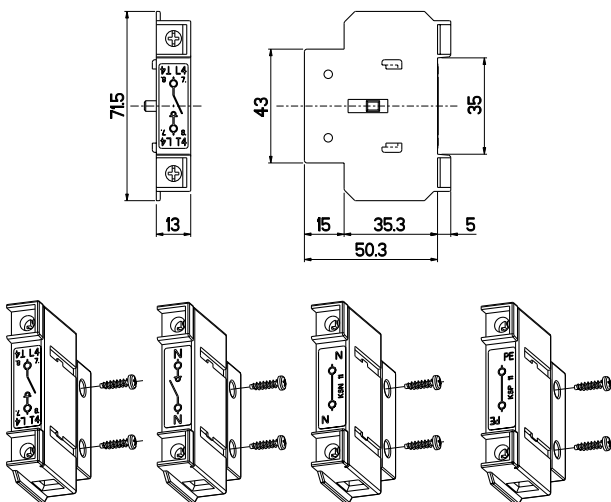
KSA1



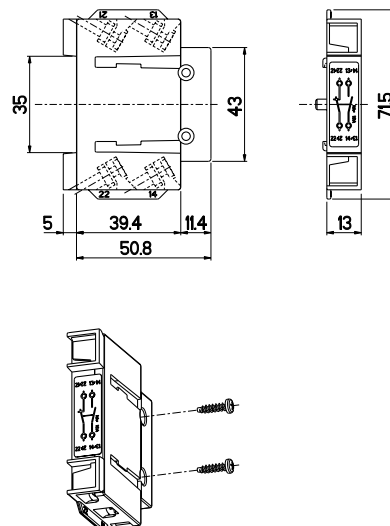
KS13.xx



KS11.xx, KS11N, KSN11, KSP11



KSA11



Ensto Compact manual motor controllers

Ensto Compact manual motor controllers

PRODUCT CODE	AMPERAGE	VOLTAGE	TIGHTENING TORQUE (LB-IN)	MOUNTING	SIZE (MM)	WEIGHT (KG)	PACKAGE SIZE (PCS)	EAN 13 CODE
3-pole without handle, panel and DIN rail mounted								
KS3.20/U	3 x 20 A	480 VAC	18 Lb-In	Din rail/Screw	36 x 80 x 70	0.129	50	6418677159008
KS3.30/U	3 x 30 A	480 VAC	18 Lb-In	Din rail/Screw	36 x 80 x 70	0.129	50	6418677159015
4th pole, panel and DIN rail mounted								
KS1.20/U	20 A	480 VAC	18 Lb-In	Din rail/Screw	13 x 56 x 72	0.046	50	6418677159046
KS1.30/U	30 A	480 VAC	18 Lb-In	Din rail/Screw	13 x 56 x 72	0.046	50	6418677159053
3-pole without handle, direct door mounted								
KS13.20/U	3 x 20 A	480 VAC	18 Lb-In	Din rail/Screw	40 x 80 x 72	0.162	50	6418677159022
KS13.30/U	3 x 30 A	480 VAC	18 Lb-In	Din rail/Screw	40 x 80 x 72	0.162	50	6418677159039
4th pole, direct door mounted								
KS11.20/U	20 A	480 VAC	18 Lb-In	Din rail/Screw	13 x 56 x 72	0.045	50	6418677159060
KS11.30/U	30 A	480 VAC	18 Lb-In	Din rail/Screw	13 x 56 x 72	0.045	50	6418677159077



KS3.20/U



KS1.20/U



KS13.30/U



KS11.30/U

Additional poles

PRODUCT CODE	DESCRIPTION	WEIGHT (KG)	PACKAGE SIZE (PCS)	EAN 13 CODE
Fixed neutral poles				
KSN1/U	For KS3.20/U and KS3.30/U switches	0.042	50	6418677159084
KSN11/U	For KS13.20/U and KS13.30/U switches	0.042	50	6418677159091
Fixed PE poles				
KSP1/U	For KS3.20/U and KS3.30/U switches	0.042	50	6418677159107
KSP11/U	For KS13.20/U and KS13.30/U switches	0.042	50	6418677159114
No+NC auxiliary contact				
KSA1/U	15 A, 120 VAC, Pilot Duty A300, for KS3-switches	0.050	50	6418677159121
KSA11/U	15 A, 120 VAC, Pilot Duty A300, for KS13-switches	0.050	50	6418677159138



Fixed neutral pole, KSN1/U.



Fixed PE pole, KSP1/U.

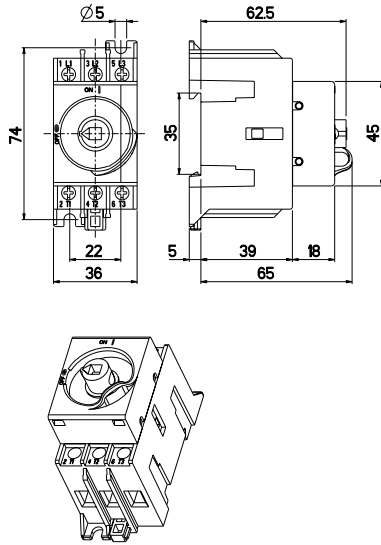


Standard auxiliary contact, KSA1/U.

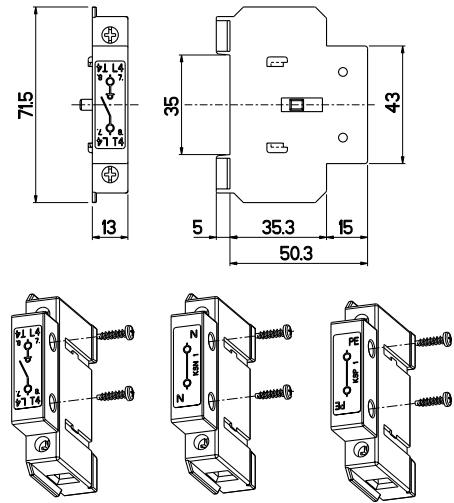
Technical drawings, Ensto Compact manual motor controllers

Dimensions in mm

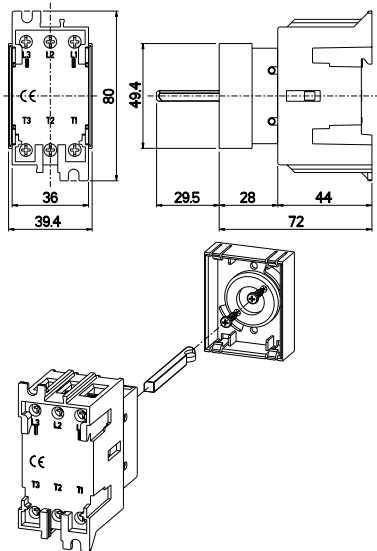
KS3.20/U, KS3.30/U



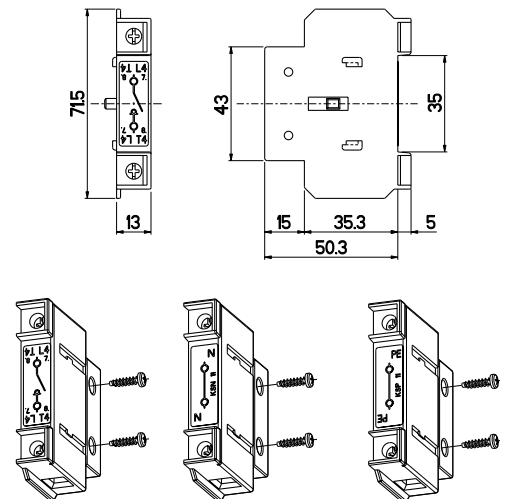
KS1.20/U, KS1.30/U, KSN1/U, KSP1/U



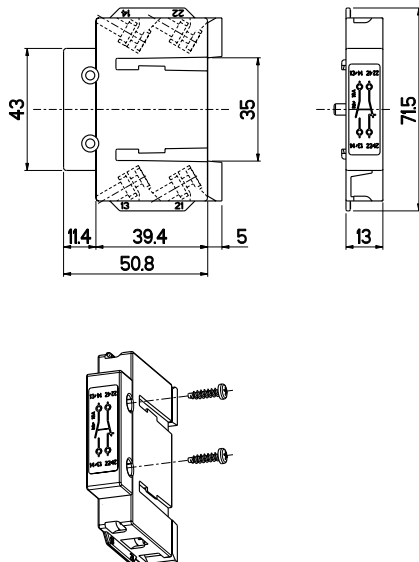
KS13.20/U, KS13.30/U



KS11.20/U, KS11.30/U, KSN11/U, KSP11/U



KSA1/U



KSA11/U

