

IQ8Quad – OT, OT^{blue}, O²T, OTG

- **Highest protection against false alarms**
- **Unambiguous fire detection through integrated multi-sensor technology**
- **Complete self-monitoring**
- **Short-circuit and open-circuit tolerant**
- **Signal classification to recognise signals not typical of fires through pattern recognition of fire parameters and multisensor evaluation**
- **Optimum adjustment to ambient conditions through configurable parameters**
- **Integrated fault, alarm and operating hours counter**
- **Extremely low quiescent current of 50 to 65µA**
- **Indicates detector contamination and implements quiescent value tracing in accordance with the current standards and directives**
- **Time-controlled deactivation of single sensor elements**



The innovative detector generation

The new IQ8Quad detector generation not only combines state-of-the-art detection technology in a single unit but also sets new standards in terms of safety and effectiveness.

Clever installation and secure investment

Although equipped with a flat-design housing, IQ8Quad detectors are provided with a spacious mounting base for flexible cabling. In addition, unused wires can be directly looped through the base. Irrespective of the detector version, the standard IQ8Quad detector base can be used for installation (a relay base can be ordered separately). Thus, installation coordination is facilitated and made more flexible. Detectors can be easily and conveniently removed and the loop is not disconnected during removal. Therefore, fire alarm systems and all their components remain active and operable, enabling short-circuit and open-circuit control within the loop even during installation. As of tools 8000 version 1.10.0, sensor technology for detector type O²T can be perfectly adjusted to local requirements through configurable parameters (parameter configuration for OTG detectors is being in process).

The esserbus

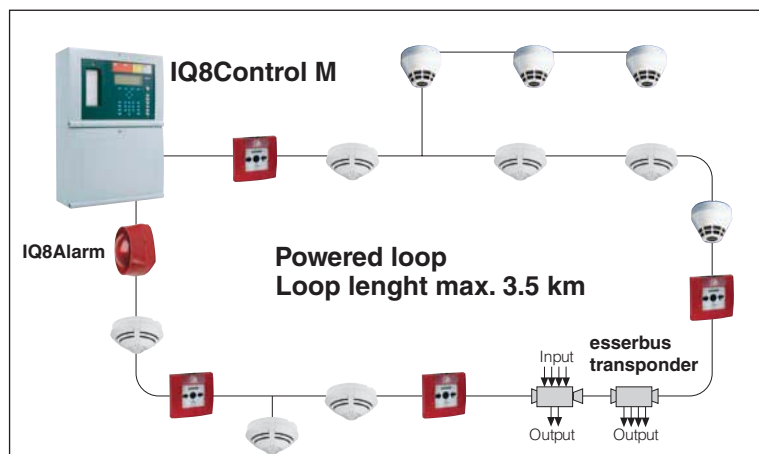
With a line length of up to 3,500 m and connecting options for a maximum of 127 devices, all advantages provided by loop technology can be used: highest operational reliability and maximum flexibility during installation coordination or during fire alarm system modifications. On account of decentralised intelligence, implemented in the detectors, and standard isolators, bus devices are not disconnected from the loop in the case of wire breaks or short-circuits. Spurs can be located on the esserbus without adding further modules, which considerably reduces installation expenses. In addition, mixed operation of IQ8Quad detectors and Series 9200 detectors can be set up without facing difficulties.

Four times IQ8Quad - four times the right choice

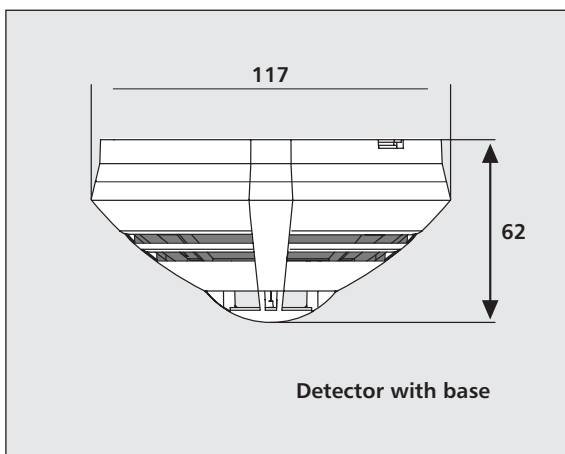
- OT* The secure and intelligent optical heat detector for the early detection of fires
- OT^{blue} Optical heat detector to guarantee the early detection of high energy fires. The detector replaces the classic ionisation smoke detector and provides high sensitivity to reliably detect the smallest fire particles by using blue LED light instead of infrared light.
- O²T* Even in the most challenging conditions, two integrated optical smoke sensors with different scatter angles and additional heat sensor provide for optimum detection of light and dark smoke and prevent false alarms from being triggered.
- OTG Multisensor detector with integrated optical smoke detector, heat detector and gas sensor for detecting carbon monoxide (CO) in order to identify fires ranging from smouldering fires to open fires. Additionally, life-threatening carbon monoxide levels can be detected in the environment.

* These detectors are approved in the scope of the DIBt system authorization for the operation with an Automatic Door System. The O²T-detector is also available without loop isolator.

Schematic loop diagram:



Dimensions (mm):



Technical Data

Type	OT	OT ^{blue}	O ² T	O ² T w/o loop isolator	OTG
Part Number	802373	802375	802374	803374	802473
Operating voltage	9 - 42 V DC	9 - 42 V DC	8 - 42 V DC	8 - 42 V DC	8 - 42 V DC
Quiescent current	ca. 50 µA	ca. 50 µA	ca. 60 µA	ca. 60 µA	ca. 65 µA
Application temperature	-20 °C to +50 °C		-20 °C to +65 °C		-20 °C to +50 °C
VdS number	G 205070	G 205071	G 204061	G 204061	G 205072
Detector specification	EN 54-7/5 A2	EN 54-7/5 A2	EN 54-7/5 B	EN 54-7/5 B	EN 54-7/5 A2

General technical data

Rated voltage	19 V DC
Max. monitoring range	110 m ²
Max. monitoring height	12 m
Storage temperature	-25 °C to +75 °C
Air humidity	≤ 95% humidity (without condensation)
Type of protection	IP 43 (with base and option)
Material	ABS
Colour	white, similar to RAL 9010
Weight	approx. 110 g
Dimensions w/o base (Ø x H)	117 x 49 mm
Dimensions with base (Ø x H)	117 x 62 mm

Order information

	Part No.
OT multisensor detector IQ8Quad	802373
OT ^{blue} multisensor detector IQ8Quad	802375
O ² T multisensor IQ8Quad	802374
O ² T Intelligent detector I8Quad without loop isolator	803374
OTG multisensor (CO) IQ8Quad	802473
Standard detector base for IQ8Quad	805590
Detector base with relay contact for IQ8Quad	805591
Flush mount kit for base IQ8Quad	805571
Label plate for detector base IQ8Quad	805576
IP 43 protection for detector base IQ8Quad, flat design	805570
IP 43 protection for IQ8Quad detector bases, deep design	805573
IP 43 moisture-proof surface-mounted base adapter aP for IQ8Quad detector base	805572

For further order information please refer to our "Fire Alarm Technology" Product Line Catalogue.

Novar GmbH a Honeywell Company

Dieselstraße 2,
41469 Neuss, Germany

Phone: +49 2137 17-0 (Administration)
Phone: +49 2137 17-600 (Customer Service Center)
Fax: +49 2137 17-286

Internet:
www.esser-systems.com

E-mail:
info@esser-systems.com

Honeywell Life Safety Austria GmbH

Lemböckgasse 49,
1230 Vienna, Austria

Phone: +43 1 600 6030
Fax: +43 1 600 6030-900

Internet:
www.hls-austria.at

E-mail:
hls-austria@honeywell.com