



**CHANNELL**

Where The Industry Connects.

# ORDERING GUIDE



**OP12123 Pedestal**  
**Interior Dimensions:**  
**Cover: 12" x 12" x 25"**  
**Base: 13" x 13.5" x 15"**



CHANNELL

# Part Number Configuration Master

Rev.

**H**

Prefix

**OP**

Description: **Optimus Pedestal (Short)**

Date  
2/13/18

**12123**

### Matrix:

OP 1212 3 CX BX LXX AXX

OPTIMUS PEDESTAL HOUSING \_\_\_\_\_  
WIDTH \_\_\_\_\_  
DEPTH \_\_\_\_\_  
COVER TYPE \_\_\_\_\_

COLOR \_\_\_\_\_

- C1 Light Green
- C2 Beige
- C3 Dark Green

BRACKET OPTION \_\_\_\_\_

- B1 Dual Offset Fiber Tap Brackets + Strand Bar (No Ground Bar)
- B2 Dual Offset Fiber Tap Brackets + Strand Bar with Ground Bar
- B3 RFOG Pedestal Insert, G4
- B4 RFOG Pedestal Insert, G5
- B5 Fiber Management Brackets G4 ... (no ground)
- B6 Fiber Management Brackets G4 ... with Ground Bar
- B7 Fiber Management Brackets G5 ... (no ground)
- B8 Fiber Management Brackets G5 ... with Ground Bar
- B9 Slack Storage Brackets
- BA Slack Storage Brackets with Ground Bar
- BB Dual Offset Fiber Tap Brackets + Strand Bar + Tilt (No Closure Brkt)
- BC Dual Offset Fiber Tap Brackets + Strand Bar + Tilt (No Closure Brkt) with Ground Bar
- Ⓜ BD Strand Bar Only (No Ground Bar)
- Ⓜ BE Strand Bar Only, with Ground Bar

LOCKING OPTION \_\_\_\_\_

- L01 Standard Self Lock (P-Key)
- LB1 LB Pattern Self Lock
- LH1 Hex Self Lock

ADDER \_\_\_\_\_

- A08 Cover w/Anti-Insect Vents (Dual Cut)

### APPROVAL / DATE:

Engineering

*[Signature]*

Customer Service

*[Signature]* 2/13/18

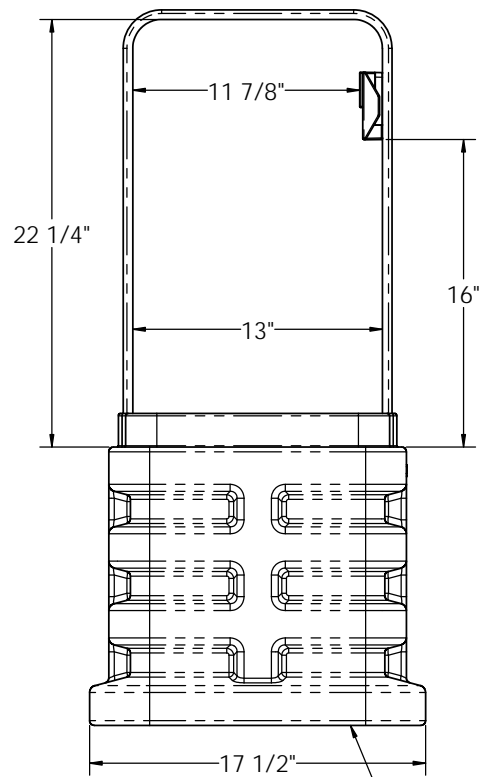
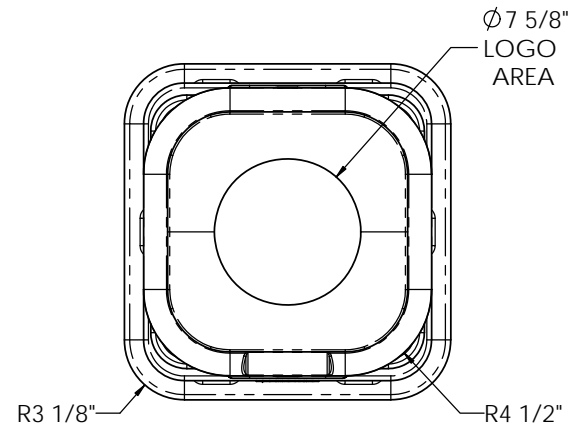
Marketing

*[Signature]* 2-13-18

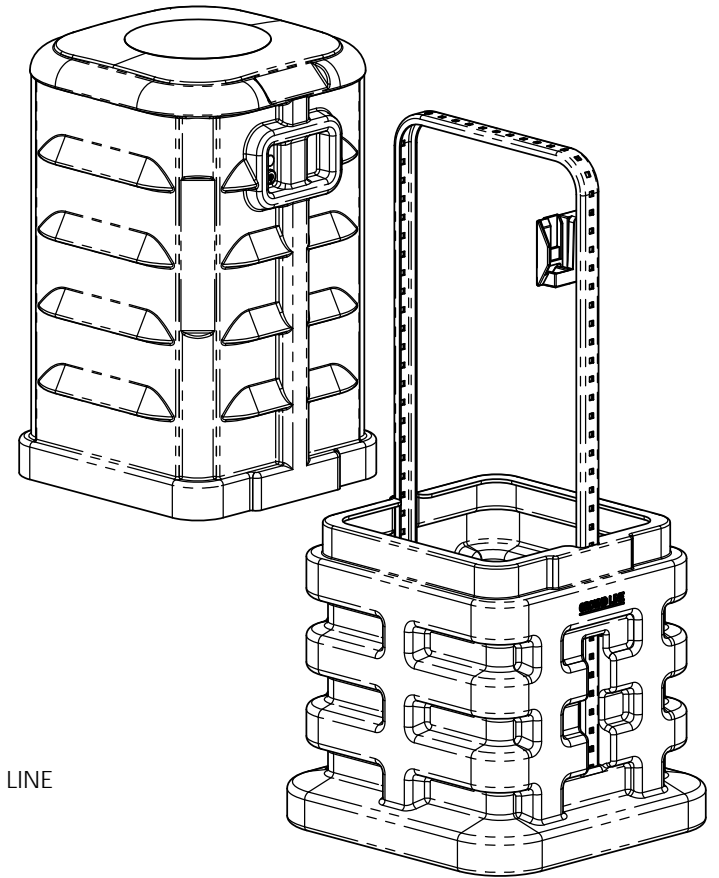
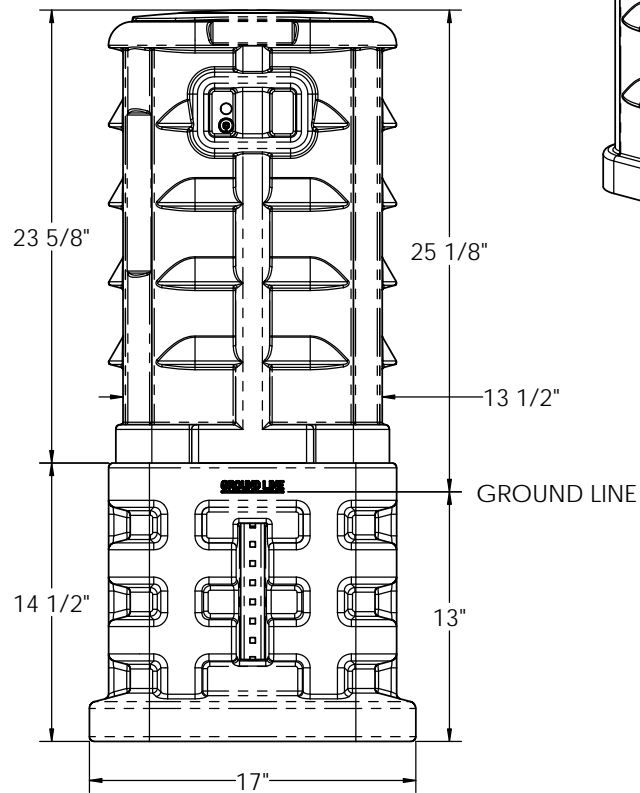
Production


*[Signature]*

THE INFORMATION CONTAINED IN THIS DRAWING IS THE SOLE PROPERTY OF CHANNELL COMMERCIAL CORP. ANY REPRODUCTION, IN PART OR WHOLE, WITHOUT THE WRITTEN PERMISSION OF CHANNELL COMMERCIAL CORP. IS PROHIBITED.



BOTTOM OPENING  
 $15 \frac{1}{4}" \times 15 \frac{3}{4}"$



 <b>CHANNELL</b> <small>26040 YNEZ ROAD TEMECULA, CALIFORNIA 92590 TELEPHONE (909) 694-9160 FAX (909) 694-9170</small>					
MAT'L.		DATE		TITLE  <b>OP 12 12-3</b>	
TOLERANCE		DES.			
DECIMAL	FRAC.	ANGLE	DWN.		
$\pm .03$	E .015		CKD.	WHT	
SHEET NO.	1	SCALE	1:5	PROJECT NO.	DRW. NO.
NO. OF SHTS.	1	UNITS:	INCHES		REV. A