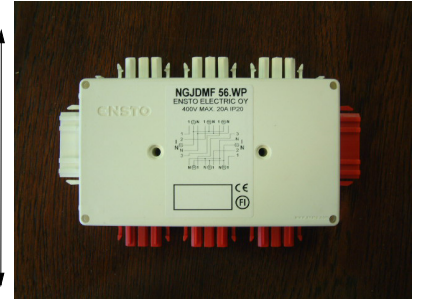
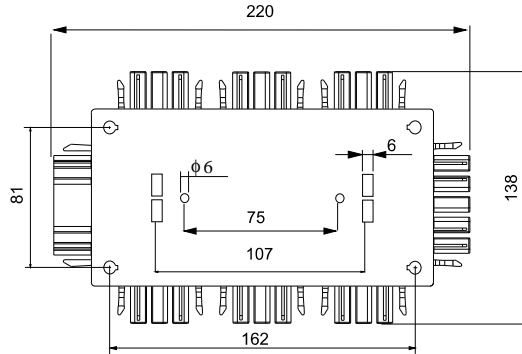
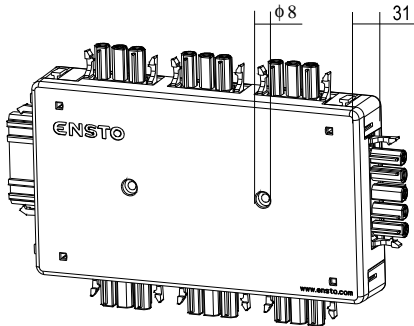




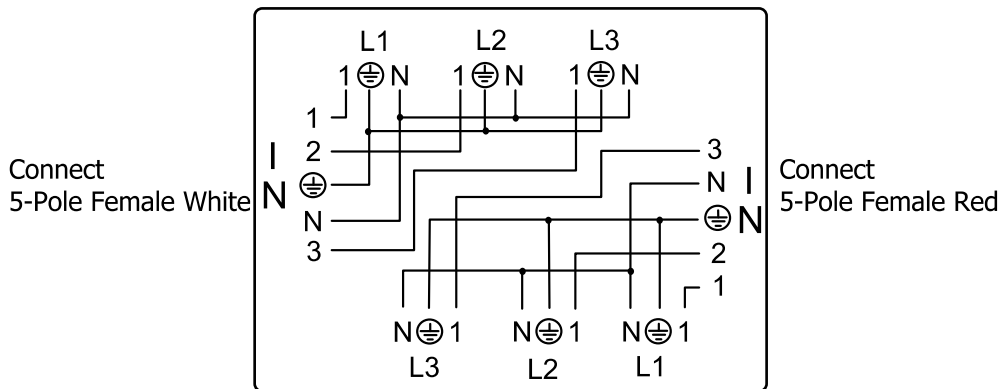
EnstoNet

NGJDMF56.WP

400V max.20A IP20



Out
Connect 3 x 3-Pole Male White



Out
Connect 3 x 3-Pole Male Red

NGJDMF56.WP

Distribution box, 2x3-phase feed, 2x3-single phase outputs. (White and Red)

With the NGJDMF56.WP distribution box, two 3-phase supplies are branched into 2x3-single phase outputs. The outputs are 2xL1, 2xL2 and 2xL3.

The distribution box can be fixed e.g. to the installation plate by screws, max. ϕ 6 mm, two holes in the middle (distance between holes 75 mm) or four holes in the corners of the box. The boxes can also be fixed with two cable ties from the clamps on the box base or by using the so-called snap-on pins, for which there are four fixing holes on the box base.

Type	NGJDMF56.WP Distribution Box
Description	2x3 phase in, 2x3-single phase outputs
Voltage	U=400VAC
Current	I= 20A max
IP Class	IP20
Ean Code	6418677708275
Sstl No.	
E No.	
Weight/Pcs	307g.
Pack Qty	10
Approvals	FI