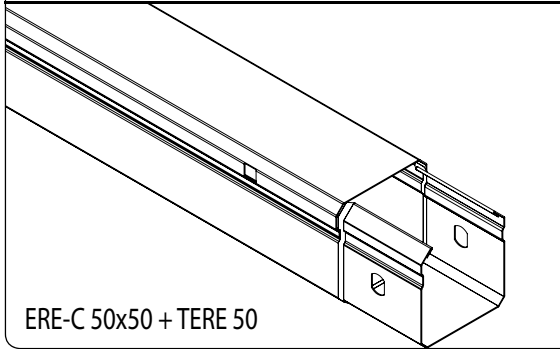
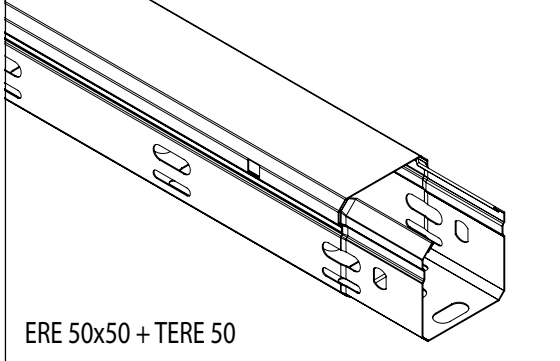


BASORTRAY ERE 50X50 WITH COVER

UNE-EN 50085
REV.22/09/2016



ERE 50X50 WITH COVER



Model: 50x50

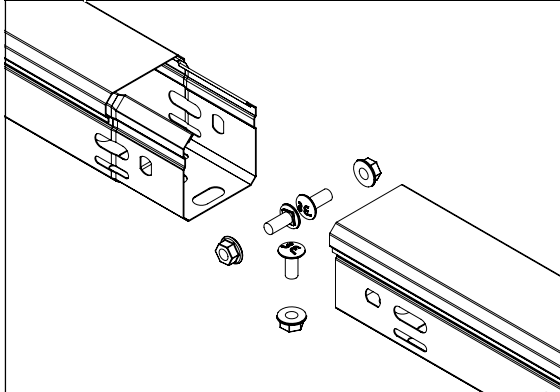
Finishes: PG; HDG.

Characteristics of the trunking:

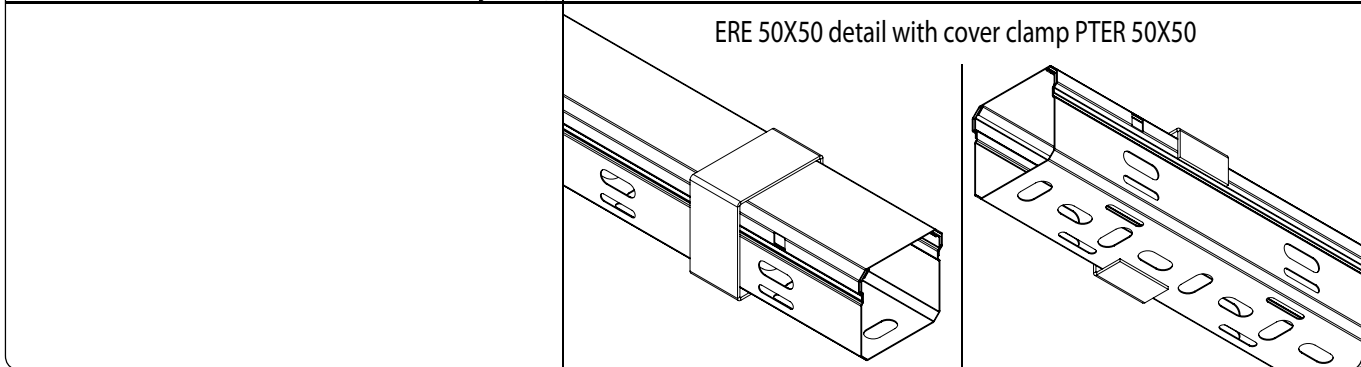
- Metallic system
- Impact Strength: 5J
- Minimum temperature of storage: -45 °C
- Minimum temperature of installation: -25 °C
- Maximum temperature of 120 °C
- Non-flame propagating component
- System with electrical continuity
- Without electric isolation
- Degree of protection:
 - Non-drilled tray ERE-C 50x50 + Cover TERE 50 : IP3X
 - Drilled tray ERE 50x50 + Cover TERE 50 : IP2X
- Average indoor and outdoor protection against corrosive substances
- Access cover can be opened without tools
- With the possibility of additional internal separation wall protection



MOUNTING INSTRUCTIONS



- Set up the self-assembly system 2 B1 bolt sets are needed for each cable tray and no union is needed.
- The cover and the cover clamp is secured by pressure.
- The tray installation for an electrical system should NOT run under other types of canalisations such as water, vapour or gas.
- To guarantee a good ventilation we recommend installing the trays keeping a minimum distance of 250 mm between each tray.
- Trays which are placed on supports shall have to keep a gap of 20 mm from the wall to allow for a correct ventilation of the cables.



Accessories:

This family has large array of accessories: Cover TERE 50, cover clamp PTER 50X50, horizontal bend CPER 50X50, vertical inside bend CCER 50X50, vertical outside bend CXER 50X50, union joint JUER 50X50 and end cover TFERE 50.