

Ensto UL-listed thermoplastic enclosures

Sizes 53 x 55 x 36 to 400 x 600 x 187 mm



UL-listed enclosures in brief:

- UL-listed enclosures have their own product codes
- Codes are simple: the normal product code + suffix ".U" e.g. OPCP303013G.U
- Please see accessories and other information from product group pages

More information can be found from:

- Ensto Cubo S enclosures, page 15
- Ensto Cubo D enclosures, page 27
- Ensto Cubo O enclosures, page 34
- Ensto Cubo C enclosures, page 39
- Ensto Cubo W wall cabinets, page 43

Conformity

PC enclosures:



Technical information

Degree of protection:	IP 66/67
Impact resistance:	IK 08 (-25 °C... +35 °C)
Flammability rating:	UL 746C 5V
UL File no:	E189312
UL category:	NITW, NITW7
Environmental type (UL):	4, 4X, 12, 13, (6 for Cubo S and D)
Outdoor suitability:	UL 746C f1 rated material
Insulation:	Enclosure enables insulation suitable for class II assemblies

Material

Base:	Fibreglass reinforced polycarbonate *
Cover:	Polycarbonate
Cover screws:	Fibreglass reinforced polyamide
Gasket:	PUR (polyurethane)

Standard colour

Base:	Grey RAL 7035
Cover:	Grey RAL 7035 or transparent

* Ensto Cubo D enclosure's base is plain polycarbonate.

Ensto Cubo S



Ensto Cubo D



Ensto Cubo O and C



Ensto Cubo W



Product cards, dimensional drawings and 3D models can be found at www.ensto.com.

Ensto Cubo C UL-listed enclosures (variant of Cubo O)

Ensto Cubo C enclosures with flange knockouts, polycarbonate

Product code	Description	External dimensions (mm)				Inner depth (mm)	Package size (pcs)	EAN 13 code
		Width	Height	Depth	Base depth			
Grey cover								
CPCF202013G.U	4 x F1 knockout	200	200	132	102	115	1	6438100117276
CPCF203013G.U	2 x F1 knockout + 2 x F2 knockout	200	300	132	102	115	1	6438100117283
CPCF204013G.U	2 x F1 knockout + 2 x F2 knockout	200	400	132	102	115	1	6438100117290
CPCF303013G.U	4 x F2 knockout	300	300	132	102	115	1	6438100117306
CPCF304013G.U	4 x F2 knockout	300	400	132	102	115	1	6438100117313
CPCF306013G.U	6 x F2 knockout	300	600	132	102	115	1	6438100117320
CPCF404013G.U	4 x F2 knockout	400	400	132	102	115	1	6438100117993
CPCF406013G.U	6 x F2 knockout	400	600	132	102	115	1	6438100117337
CPCF202018G.U	4 x F1 knockout *	200	200	187	102 + 55	170	1	6438100117344
CPCF203018G.U	2 x F1 knockout + 2 x F2 knockout *	200	300	187	102 + 55	170	1	6438100117351
CPCF204018G.U	2 x F1 knockout + 2 x F2 knockout *	200	400	187	102 + 55	170	1	6438100117368
CPCF303018G.U	4 x F2 knockout *	300	300	187	102 + 55	170	1	6438100117375
CPCF304018G.U	4 x F2 knockout *	300	400	187	102 + 55	170	1	6438100117382
CPCF306018G.U	6 x F2 knockout *	300	600	187	102 + 55	170	1	6438100117399
CPCF404018G.U	4 x F2 knockout	400	400	187	102 + 55	170	1	6438100118006
CPCF406018G.U	6 x F2 knockout *	400	600	187	102 + 55	170	1	6438100117405
Transparent cover								
CPCF202013T.U	4 x F1 knockout	200	200	132	102	115	1	6438100117412
CPCF203013T.U	2 x F1 knockout + 2 x F2 knockout	200	300	132	102	115	1	6438100117429
CPCF204013T.U	2 x F1 knockout + 2 x F2 knockout	200	400	132	102	115	1	6438100117436
CPCF303013T.U	4 x F2 knockout	300	300	132	102	115	1	6438100117443
CPCF304013T.U	4 x F2 knockout	300	400	132	102	115	1	6438100117450
CPCF306013T.U	6 x F2 knockout	300	600	132	102	115	1	6438100117467
CPCF404013T.U	4 x F2 knockout	400	400	132	102	115	1	6438100118013
CPCF406013T.U	6 x F2 knockout	400	600	132	102	115	1	6438100117474
CPCF202018T.U	4 x F1 knockout *	200	200	187	102 + 55	170	1	6438100117481
CPCF203018T.U	2 x F1 knockout + 2 x F2 knockout *	200	300	187	102 + 55	170	1	6438100117498
CPCF204018T.U	2 x F1 knockout + 2 x F2 knockout *	200	400	187	102 + 55	170	1	6438100117504
CPCF303018T.U	4 x F2 knockout *	300	300	187	102 + 55	170	1	6438100117511
CPCF304018T.U	4 x F2 knockout *	300	400	187	102 + 55	170	1	6438100117528
CPCF306018T.U	6 x F2 knockout *	300	600	187	102 + 55	170	1	6438100117535
CPCF404018T.U	4 x F2 knockout	400	400	187	102 + 55	170	1	6438100118020
CPCF406018T.U	6 x F2 knockout *	400	600	187	102 + 55	170	1	6438100117542

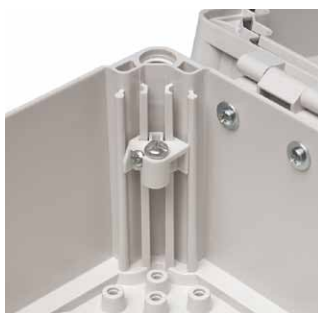
* Incl. extension frame



CPCF202013G.U



CPCF203018T.U



Adjustable elevators are available for the base corner slots allowing the mounting of plates and panels at any height.

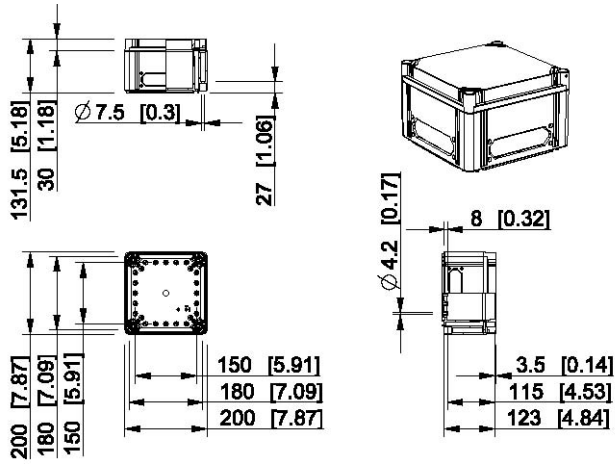


It is possible to mount the cover onto the back of the base of the Ensto Cubo O and C enclosure.

Dimensional drawings, Ensto Cubo C

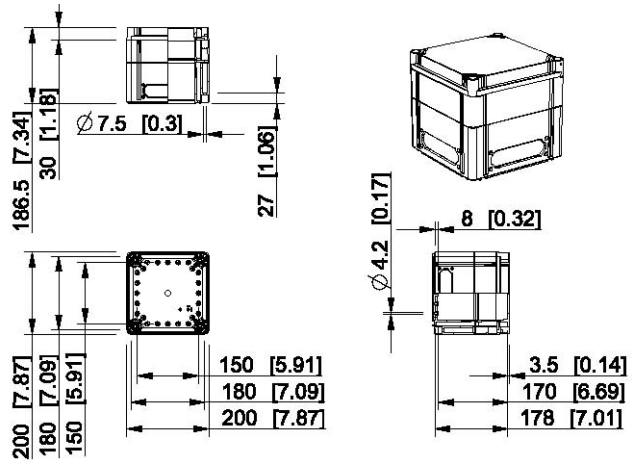
Dimensions in mm [inch]

Ensto Cubo C 200 x 200 x 132 mm



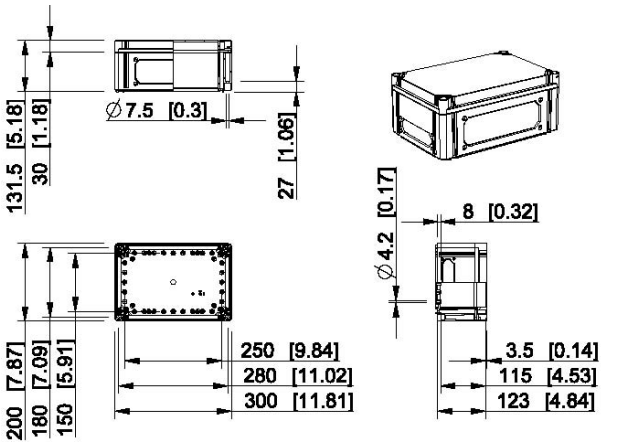
Grey cover	Transparent cover	Description
CPCF202013G	CPCF202013T	4 x F1 knockout, PC

Ensto Cubo C 200 x 200 x 187 mm



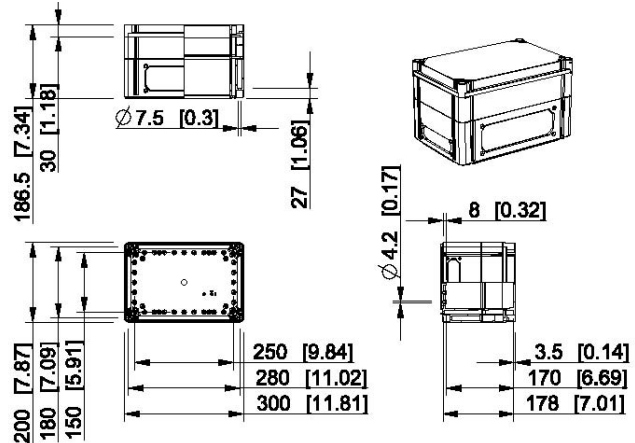
Grey cover	Transparent cover	Description
CPCF202018G	CPCF202018T	4 x F1 knockout, PC

Ensto Cubo C 200 x 300 x 132 mm



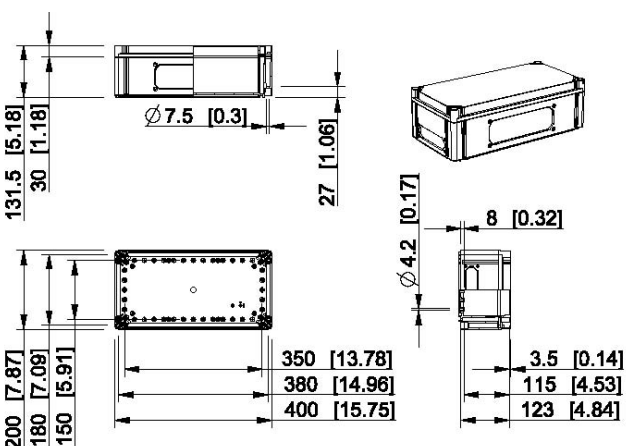
Grey cover	Transparent cover	Description
CPCF203013G	CPCF203013T	2 x F1 knockout + 2 x F2 knockout, PC

Ensto Cubo C 200 x 300 x 187 mm



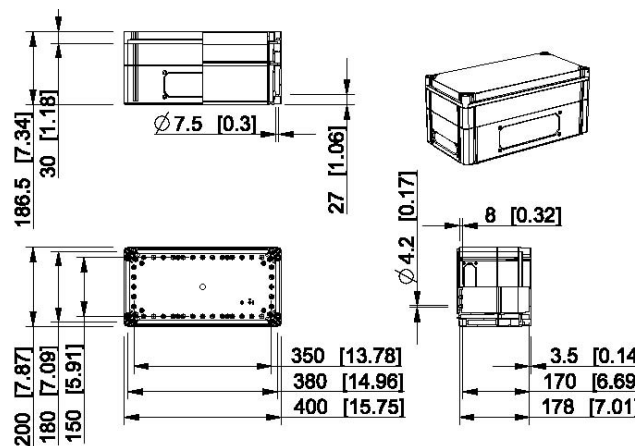
Grey cover	Transparent cover	Description
CPCF203018G	CPCF203018T	2 x F1 knockout + 2 x F2 knockout, PC

Ensto Cubo C 200 x 400 x 132 mm



Grey cover	Transparent cover	Description
CPCF204013G	CPCF204013T	2 x F1 knockout + 2 x F2 knockout, PC

Ensto Cubo C 200 x 400 x 187 mm

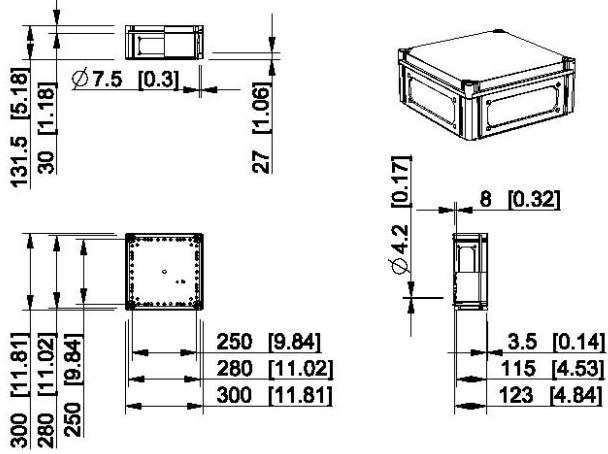


Grey cover	Transparent cover	Description
CPCF204018G	CPCF204018T	2 x F1 knockout + 2 x F2 knockout, PC

Dimensional drawings, Ensto Cubo C

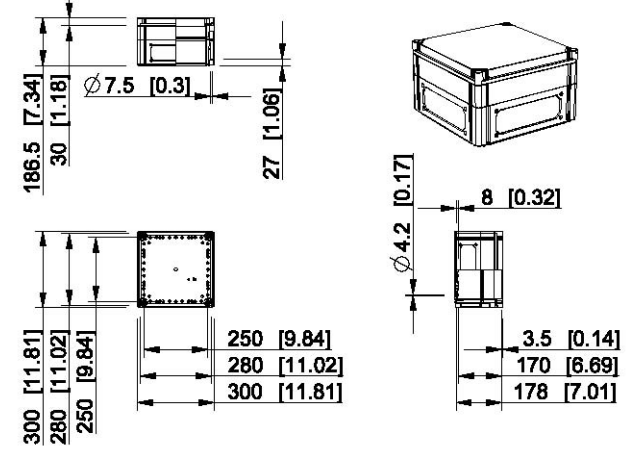
Dimensions in mm [inch]

Ensto Cubo C 300 x 300 x 132 mm



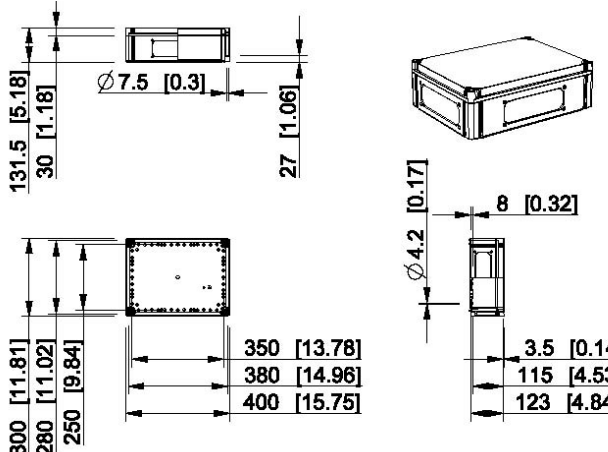
Grey cover	Transparent cover	Description
CPCF303013G	CPCF303013T	4 x F2 knockout, PC

Ensto Cubo C 300 x 300 x 187 mm



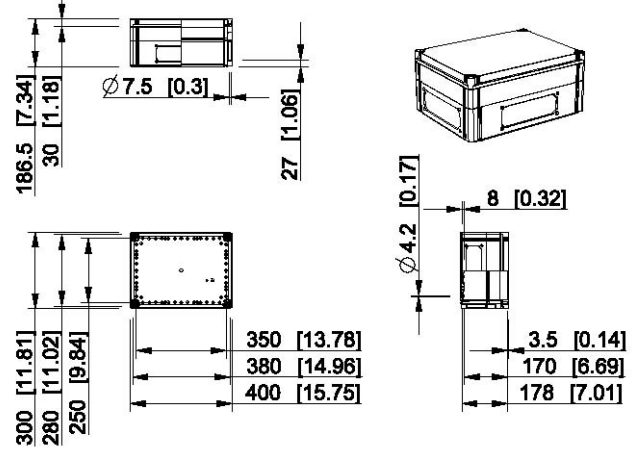
Grey cover	Transparent cover	Description
CPCF303018G	CPCF303018T	4 x F2 knockout, PC

Ensto Cubo C 300 x 400 x 132 mm



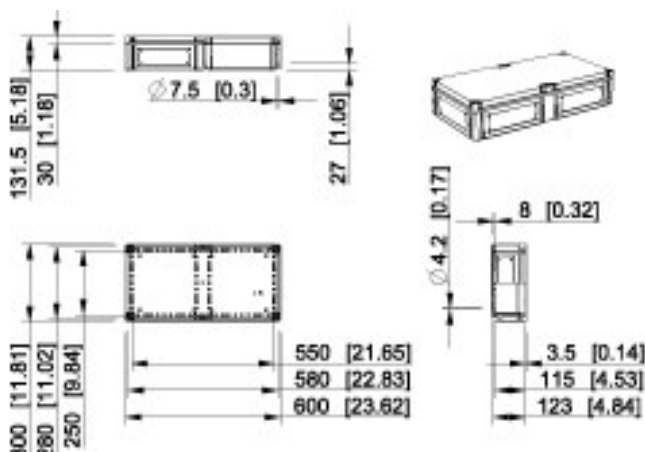
Grey cover	Transparent cover	Description
CPCF304013G	CPCF304013T	4 x F2 knockout, PC

Ensto Cubo C 300 x 400 x 187 mm



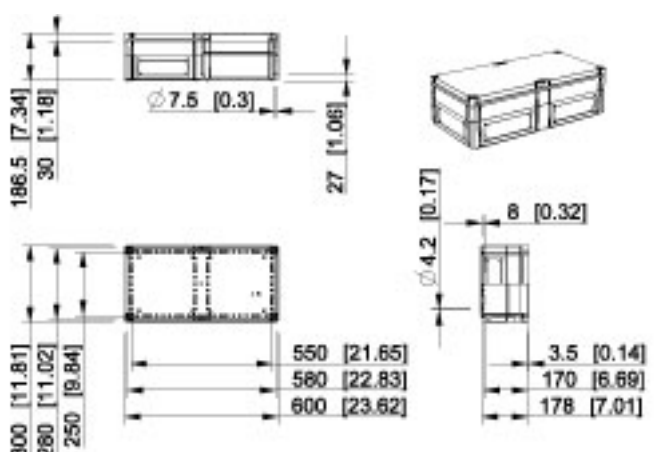
Grey cover	Transparent cover	Description
CPCF304018G	CPCF304018T	4 x F2 knockout, PC

Ensto Cubo C 300 x 600 x 132 mm



Grey cover	Transparent cover	Description
CPCF306013G	CPCF306013T	6 x F2 knockout, PC

Ensto Cubo C 300 x 600 x 187 mm

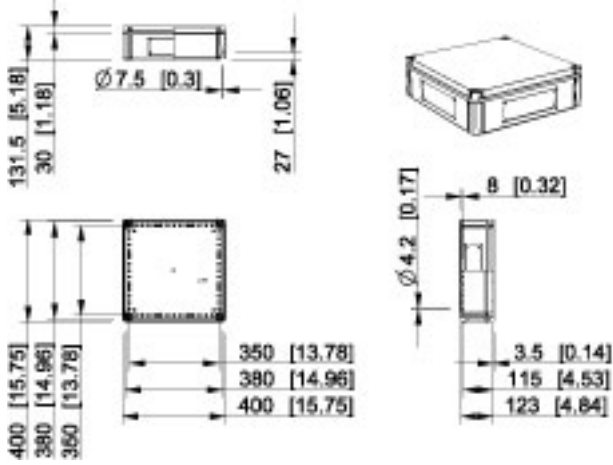


Grey cover	Transparent cover	Description
CPCF306018G	CPCF306018T	6 x F2 knockout, PC

Dimensional drawings, Ensto Cubo C

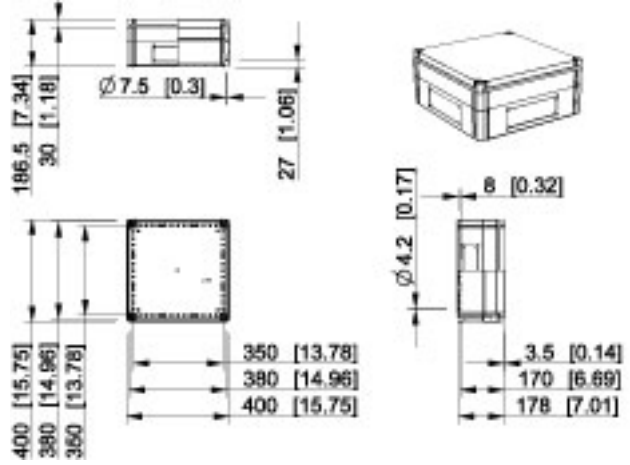
Dimensions in mm [inch]

Ensto Cubo C 400 x 400 x 132 mm



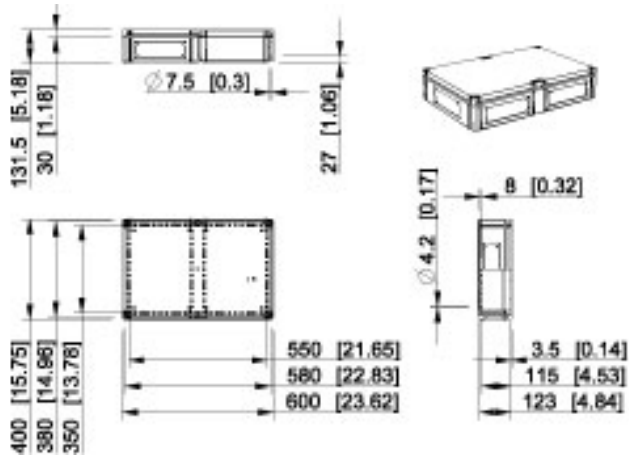
Grey cover	Transparent cover	Description
CPCF404013G	CPCF404013T	4 x F2 knockout, PC

Ensto Cubo C 400 x 400 x 187 mm



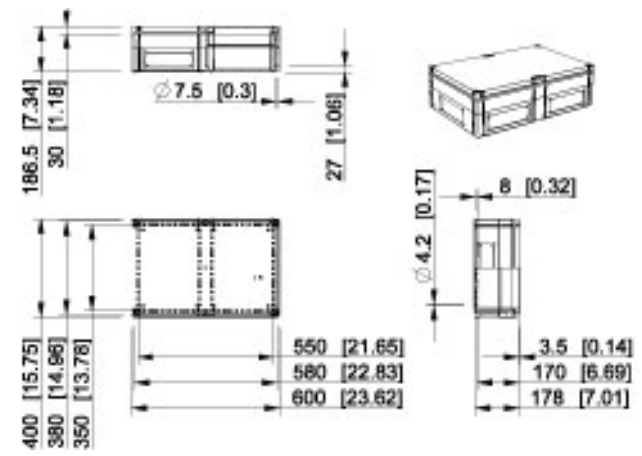
Grey cover	Transparent cover	Description
CPCF404018G	CPCF404018T	4 x F2 knockout, PC

Ensto Cubo C 400 x 600 x 132 mm



Grey cover	Transparent cover	Description
CPCF406013G	CPCF406013T	6 x F2 knockout, PC

Ensto Cubo C 400 x 600 x 187 mm



Grey cover	Transparent cover	Description
CPCF406018G	CPCF406018T	6 x F2 knockout, PC