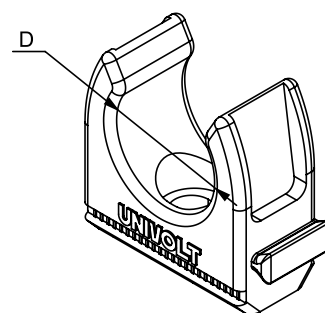


Data sheet

ID	CL WH
Description	clip, interlinkable
Properties	for fixation of rigid or pliable conduits on various surfaces, mounting possible with nails, screws or DSD plugs
Colour	white, similar to RAL 9010



Art. no.	Suitable for pipe diameter	Small Package	Large Package
082 213	16 mm	100 pc	3200 pc
082 180	20 mm	100 pc	2400 pc
082 217	25 mm	100 pc	1600 pc
082 221	32 mm	100 pc	1600 pc
082 225	40 mm	50 pc	800 pc
082 598	50 mm	50 pc	600 pc

Further technical details

Details	
Closed	True
Tackable	True
Max. number of tubes	1
Type of fastening	Screw hole
With inlay	False
Material	PVC-U