

P06 2U High Density Quad Tray Pivot Panel - 96 Position SC/LC up to 192 fibers



This innovative, high density pivot panel is designed to accept 24 SC simplex footprint adapters within each of the four ½ U trays. Each tray fully manages the incoming fibers, pigtails and splices. The panel can pivot by up to 120° to allow easy access during installation or rework with no disturbance of the existing cable or fibers. Angled adapters route exiting patchcords directly into the cabinet side management. An optional bracket maintains the minimum bend radius in any direction. The panel can be assembled to pivot in either direction, facilitating cable entry from either side. Ventilation tracts allow free flow of air through the panel, providing highly efficient cooling for active equipment.

FEATURES/BENEFITS

- 96 SC Simplex or LC Duplex (Pre-term only) connections
- Angled adapters for reduced bend losses
- Fully integrated fiber management
- 2U overall with ½ U individual trays
- High flow ventilation
- Side cable entry
- 30mm bend radius maintained throughout
- Single layer interleaved splicing area
- Individually labeled ports
- Accepts both loose tube and distribution cable
- RoHS, REACH SvHC
- Available in standard colors and standard packaging
- Fits standard 19"; or ETSI rack with adjustable positioning
- Adjustable position with respect to frame
- Individual cable tie and strength member tie points in each tray
- Individual PG13.5 gland entry point for each tray
- Cable entry from both sides dependent upon direction of pivot

APPLICATIONS

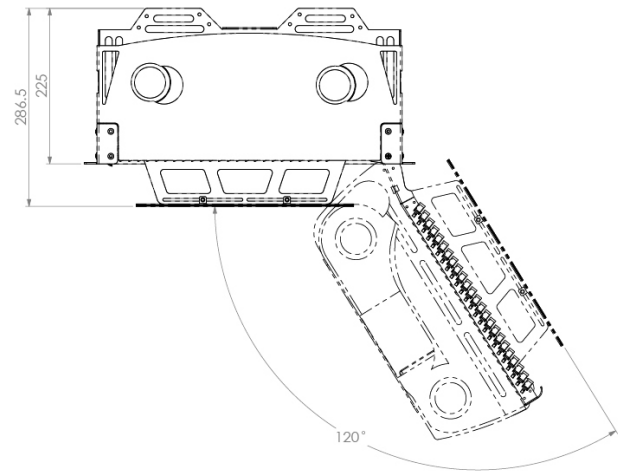
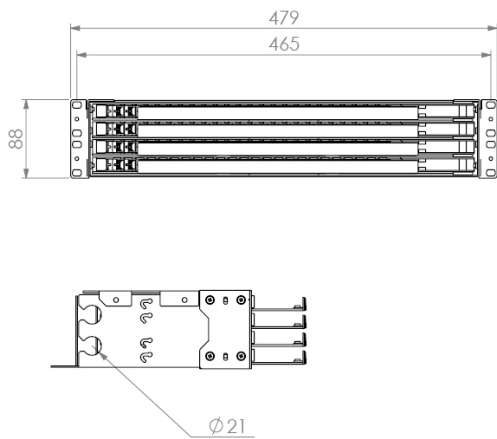
- Telecom outside plant and ODF
- Telecom CPE
- Ethernet, Fiber Channel, ATM, LAN, MAN and WAN
- Data communication ODF and distribution
- Indoor and outdoor applications

SPECIFICATIONS

DESCRIPTION

Height	2U
Width	479mm
Depth	286.5mm
Net weight	5.8kg
IP rating	N/A
Suitable for adapter type(flangeless adapters only)	SC Simplex, LC Duplex (Pre-term only)
Number of adapter positions	96
Mounting Adjustment range	64mm
Material	Cold-rolled steel
Material thickness	1.5mm
Material coating	Powder coating
Colour	Grey RAL7035
Operating temperature	-40°C to +60°C
Compliant to	RoHS, Reach/SVHC
Designed in accordance with	TIA/EIA 568.C, ISO/IEC 11801, EN50173, IEC60304, IEC61754,

TECHNICAL DRAWING



ORDERING INFORMATION

Code		Fibre Type		Code		Fiber Count		Code		Adaptor		Code	
F	S	SM Adaptors		PC	96	96F (SC Simplex)		DX	A	LC	X-06AD		
	M	MM Adaptors			AC	192F (LC Duplex)			B	LCA			
	V	MM Erika Violet adaptors					D		SC				
							E		SCA				

PART NUMBER	DESCRIPTION	LEGACY PART NUMBER
FMPC96DXDX-06AD	Pivot Panel Grey 7035 2U 96 Port (SCS/LCD) 96F SC MM (Adaptors)	P06SCM96RH
FSPC96DXDX-06AD	Pivot Panel Grey 7035 2U 96 Port (SCS/LCD) 96F SC SM (Adaptors)	P06SCS96RH
FSPC96DXEX-06AD	Pivot Panel Grey 7035 2U 96 Port (SCS/LCD) 96F SCA SM (Adaptors)	P06SCA96RH
FMPCACDXAX-06AD	Pivot Panel Grey 7035 2U 96 Port (SCS/LCD) 192F LC MM (Adaptors)	P06LCM96RH
FVPCACDXAX-06AD	Pivot Panel Grey 7035 2U 96 Port (SCS/LCD) 192F LC MM EV (Adaptors)	P06LCV96RH
FSPCACDXLX-06AD	Pivot Panel Grey 7035 2U 96 Port (SCS/LCD) 192F LC SM (Adaptors)	P06LCS96RH
FSPCACDXBX-06AD	Pivot Panel Grey 7035 2U 96 Port (SCS/LCD) 192F LCA SM (Adaptors)	P06LCA96RH



SCAN QR FOR PRODUCT PAGE

FURTHER INFORMATION

- For additional information please contact your sales representative
- To view the product 360 visit the product page (Scan the QR code or visit the link below)
- Downloaded from <https://www.aflhyperscale.com/product/p06-2u-hd-quad-tray-pivot-panel>
- AFL Hyperscale reserves the right to make changes in this datasheet at any time without notice
- Information in this document is correct as of September 16, 2019

Europe

+44 (0) 1908 441 144
 emeasales@aflhyperscale.com
 © AFL Hyperscale 2019

Americas

+1 866 814 8615
 usasales@aflhyperscale.com

Middle East & Africa

+971 4 404 9606
 mesales@aflhyperscale.com

India

+91 80 46874687
 indiasales@aflhyperscale.com

Asia Pacific

+86 755 2561 3694
 apacsales@aflhyperscale.com