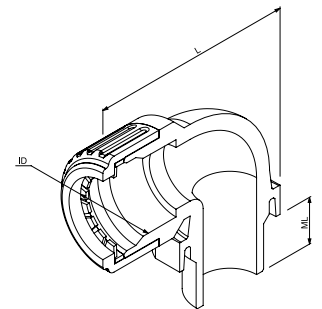


Data sheet

ID	SEG GY
Description	elbow gland, halogen-free
Properties	for corrugated conduits, with patented plug-in system for quick-fit assembly, pull-tight connection, with metric thread according to EN 60423
Colour	grey, similar to RAL 7001
Fire Behaviour	non flame propagating
Classification	22434



Norms: ÖVE/ÖNORM EN 61386-1:2009, ÖVE/ÖNORM EN 61386-23:2012
halogenfree according to EN 60754



Working temperature	Degree of protection (IP)	UV-Level
-25 to +105 °C	IP54	L2

Art. no.	Nominal diameter	Thread connection size	Thread length	Total height	Small Package	Large Package
017 273	12 mm	M12 x 1.5	8 mm	21 mm	50 pc	1600 pc
012 703	16 mm	M16 x 1.5	10,5 mm	24,7 mm	20 pc	640 pc
012 704	20 mm	M20 x 1.5	12 mm	29,8 mm	20 pc	480 pc
012 705	25 mm	M25 x 1.5	15 mm	37,2 mm	10 pc	240 pc
012 706	32 mm	M32 x 1.5	15 mm	45 mm	10 pc	160 pc

Areas of Recommended Application

Area	
Approved in combination with protective conduit CSA	False
Approved in combination with protective conduit UR	False
Approved in combination with protective conduit VD TÜV/GGVS	False
Approved in combination with protective conduit DIN EN 61386-23	True
Approved in combination with protective conduit Lloyd's Register	False

Further technical details

Details	
Model	90°-Bend
Revolving thread	False
Construction type	External thread
Type of connection	Thread
Thread type	Metric
Material sealing	No sealing
Material	PA-Blend

*) L1: Indoor use - to avoid UV discoloration (no exposure to direct sunlight).

L2: Partially shaded: Outside, in areas with sun only for two to four hours a day, in shadowy places.

L3: Full sun: To be used also in areas with whole-day exposure to sunlight, e. g. roofs, antenna poles or PV panels.

Civil engineering and road construction products marked "L2" have to be laid in the shortest time possible to ensure color fastness and stability.