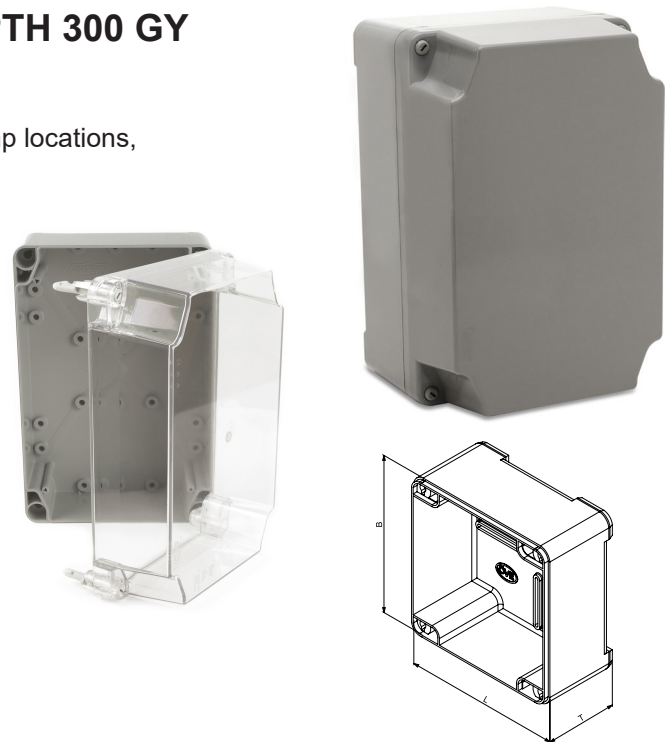


# Data sheet

ID	<b>PKG OPH 300 GY/PKG OPTH 300 GY</b>
Description	enclosure box, jetting water tight
Properties	for surface installation, suitable for damp locations, without pre-punched conduit entries
Colour	grey, similar to RAL 7037
Classification	AC 690 V, IP40

Norms: ÖVE/ÖNORM EN 60670-22:2007



Working temperature	Degree of protection (IP)	UV-Level
-25 to +60 °C	IP65	L2

Art. no.	Dimensions Ø/LxB x T	Transparent cover	Small Package	Large Package
015 385	300 x 200 x 125 mm	False	1 pc	3 pc
015 227	300 x 200 x 125 mm	True	1 pc	3 pc

## Further technical details

Details	
Halogen free	False
Tackable	False
Number of inlets	-
Type of housing feed-through	None
Equipped with	None
Cover model	Mounting cover
Explosion-tested version	False
Weatherproof	False
Material	PVC-U

\*) L1: Indoor use - to avoid UV discoloration (no exposure to direct sunlight).

L2: Partially shaded: Outside, in areas with sun only for two to four hours a day, in shadowy places.

L3: Full sun: To be used also in areas with whole-day exposure to sunlight, e. g. roofs, antenna poles or PV panels.

Civil engineering and road construction products marked "L2" have to be laid in the shortest time possible to ensure color fastness and stability.

All figures refer to standardised test samples and are given to our best knowledge but without further commitment. It is Univolt's belief that information set forth in this Data Sheet is accurate, Univolt makes no warranty, expressed or implied, with respect thereto and disclaims any liability from reliance thereon. All data are subject to change without prior notice.