

# Ensto UL-listed thermoplastic enclosures

## Sizes 53 x 55 x 36 to 400 x 600 x 187 mm



### UL-listed enclosures in brief:

- UL-listed enclosures have their own product codes
- Codes are simple: the normal product code + suffix ".U" e.g. OPCP303013G.U
- Please see accessories and other information from product group pages

### More information can be found from:

- Ensto Cubo S enclosures, page 15
- Ensto Cubo D enclosures, page 27
- Ensto Cubo O enclosures, page 34
- Ensto Cubo C enclosures, page 39
- Ensto Cubo W wall cabinets, page 43

### Conformity

PC enclosures:



### Technical information

Degree of protection:	IP 66/67
Impact resistance:	IK 08 (-25 °C... +35 °C)
Flammability rating:	UL 746C 5V
UL File no:	E189312
UL category:	NITW, NITW7
Environmental type (UL):	4, 4X, 12, 13, (6 for Cubo S and D)
Outdoor suitability:	UL 746C f1 rated material
Insulation:	Enclosure enables insulation suitable for class II assemblies

### Material

Base:	Fibreglass reinforced polycarbonate *
Cover:	Polycarbonate
Cover screws:	Fibreglass reinforced polyamide
Gasket:	PUR (polyurethane)

### Standard colour

Base:	Grey RAL 7035
Cover:	Grey RAL 7035 or transparent

\* Ensto Cubo D enclosure's base is plain polycarbonate.

### Ensto Cubo S



### Ensto Cubo D



### Ensto Cubo O and C



### Ensto Cubo W



Product cards, dimensional drawings and 3D models can be found at [www.ensto.com](http://www.ensto.com).

# Ensto Cubo O UL-listed enclosures

## Ensto Cubo O enclosures with plain sides, polycarbonate

Product code	Description	External dimensions (mm)				Inner depth (mm)	Package size (pcs)	EAN 13 code
		Width	Height	Depth	Base depth			
<b>Grey cover</b>								
OPCP202013G.U		200	200	132	102	115	1	6438100116873
OPCP203013G.U		200	300	132	102	115	1	6438100117880
OPCP204013G.U		200	400	132	102	115	1	6438100116897
OPCP303013G.U		300	300	132	102	115	1	6438100116903
OPCP304013G.U		300	400	132	102	115	1	6438100116910
OPCP306013G.U		300	600	132	102	115	1	6438100116927
OPCP404013G.U		400	400	132	102	115	1	6438100117986
OPCP406013G.U		400	600	132	102	115	1	6438100116934
OPCP202018G.U	Incl. extension frame	200	200	187	102 + 55	170	1	6438100116941
OPCP203018G.U	Incl. extension frame	200	300	187	102 + 55	170	1	6438100116958
OPCP204018G.U	Incl. extension frame	200	400	187	102 + 55	170	1	6438100116965
OPCP303018G.U	Incl. extension frame	300	300	187	102 + 55	170	1	6438100116972
OPCP304018G.U	Incl. extension frame	300	400	187	102 + 55	170	1	6438100116989
OPCP306018G.U	Incl. extension frame	300	600	187	102 + 55	170	1	6438100116996
OPCP404018G.U	Incl. extension frame	400	400	187	102 + 55	170	1	6438100117955
OPCP406018G.U	Incl. extension frame	400	600	187	102 + 55	170	1	6438100117009
<b>Transparent cover</b>								
OPCP202013T.U		200	200	132	102	115	1	6438100117016
OPCP203013T.U		200	300	132	102	115	1	6438100117023
OPCP204013T.U		200	400	132	102	115	1	6438100117030
OPCP303013T.U		300	300	132	102	115	1	6438100117047
OPCP304013T.U		300	400	132	102	115	1	6438100117054
OPCP306013T.U		300	600	132	102	115	1	6438100117061
OPCP404013T.U		400	400	132	102	115	1	6438100117962
OPCP406013T.U		400	600	132	102	115	1	6438100117078
OPCP202018T.U	Incl. extension frame	200	200	187	102 + 55	170	1	6438100117085
OPCP203018T.U	Incl. extension frame	200	300	187	102 + 55	170	1	6438100117092
OPCP204018T.U	Incl. extension frame	200	400	187	102 + 55	170	1	6438100117108
OPCP303018T.U	Incl. extension frame	300	300	187	102 + 55	170	1	6438100117115
OPCP304018T.U	Incl. extension frame	300	400	187	102 + 55	170	1	6438100117122
OPCP306018T.U	Incl. extension frame	300	600	187	102 + 55	170	1	6438100117139
OPCP404018T.U	Incl. extension frame	400	400	187	102 + 55	170	1	6438100117979
OPCP406018T.U	Incl. extension frame	400	600	187	102 + 55	170	1	6438100117146



OPCP202013G.U



OPCP304013T.U

## Ensto Cubo O enclosures with metric knockouts, polycarbonate

Product code	Knockouts	External dimensions (mm)				Inner depth (mm)	Package size (pcs)	EAN 13 code
		Width	Height	Depth	Base depth			
<b>Grey cover</b>								
OPCM303013G.U	12 x M20 + 1 x M16/25 + 8 x M20 + 4 x M25/40	300	300	132	102	115	1	6438100117153
OPCM304013G.U	8 x M12/20 + 5 x M16/25 + 12 x M12/20 + 1 x M32/40	300	400	132	102	115	1	6438100117160
OPCM306013G.U	8 x M12/20 + 5 x M16/25 + 12 x M12/20 + 1 x M32/40	300	600	132	102	115	1	6438100117177
OPCM303018G.U	12 x M20 + 1 x M16/25 + 8 x M20 + 4 x M25/40, incl. extension frame	300	300	187	102 + 55	170	1	6438100117184
OPCM304018G.U	8 x M12/20 + 5 x M16/25 + 12 x M12/20 + 1 x M32/40, incl. extension frame	300	400	187	102 + 55	170	1	6438100117191
OPCM306018G.U	8 x M12/20 + 5 x M16/25 + 12 x M12/20 + 1 x M32/40, incl. extension frame	300	600	187	102 + 55	170	1	6438100117207
<b>Transparent cover</b>								
OPCM303013T.U	12 x M20 + 1 x M16/25 + 8 x M20 + 4 x M25/40	300	300	132	102	115	1	6438100117214
OPCM304013T.U	8 x M12/20 + 5 x M16/25 + 12 x M12/20 + 1 x M32/40	300	400	132	102	115	1	6438100117221
OPCM306013T.U	8 x M12/20 + 5 x M16/25 + 12 x M12/20 + 1 x M32/40	300	600	132	102	115	1	6438100117238
OPCM303018T.U	12 x M20 + 1 x M16/25 + 8 x M20 + 4 x M25/40, incl. extension frame	300	300	187	102 + 55	170	1	6438100117045
OPCM304018T.U	8 x M12/20 + 5 x M16/25 + 12 x M12/20 + 1 x M32/40, incl. extension frame	300	400	187	102 + 55	170	1	6438100117252
OPCM306018T.U	8 x M12/20 + 5 x M16/25 + 12 x M12/20 + 1 x M32/40, incl. extension frame	300	600	187	102 + 55	170	1	6438100117269



OPCM303013G.U

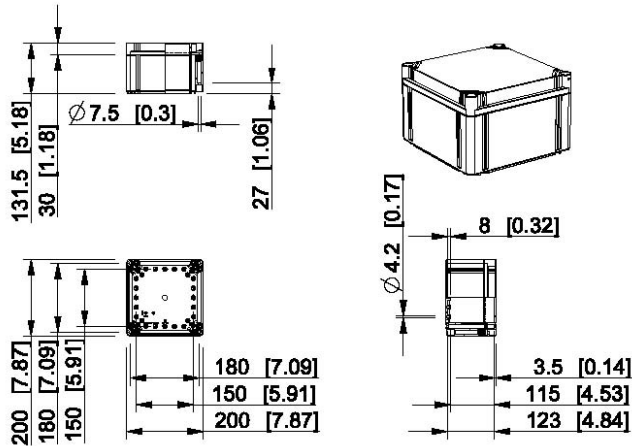


OPCM306018T.U

# Dimensional drawings, Ensto Cubo O

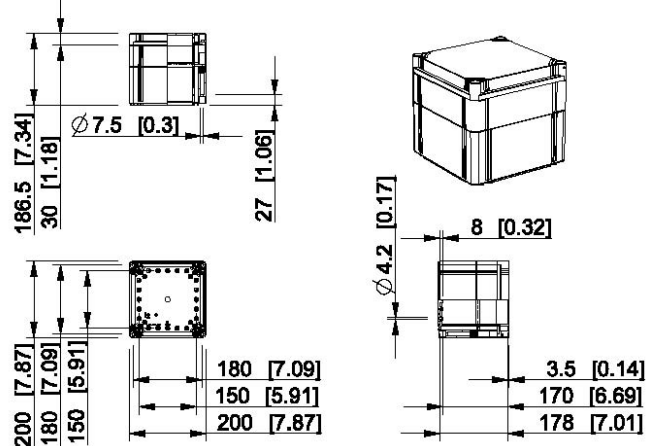
Dimensions in mm [inch]

## Ensto Cubo O 200 x 200 x 132 mm



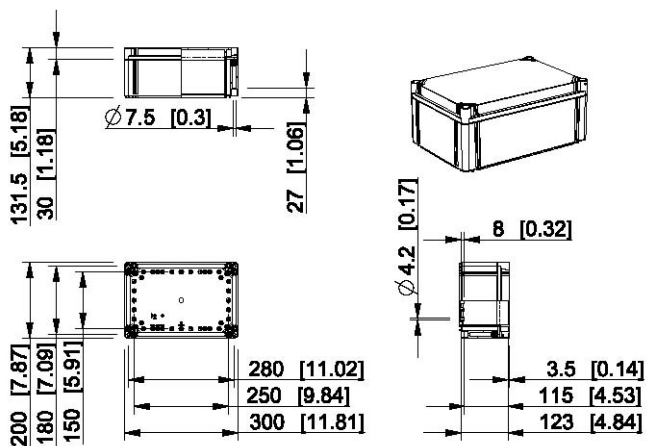
Grey cover	Transparent cover	Description
OPCP202013G	OPCP202013T	Plain sides, polycarbonate
OABP202013G	OABP202013T	Plain sides, ABS

## Ensto Cubo O 200 x 200 x 187 mm



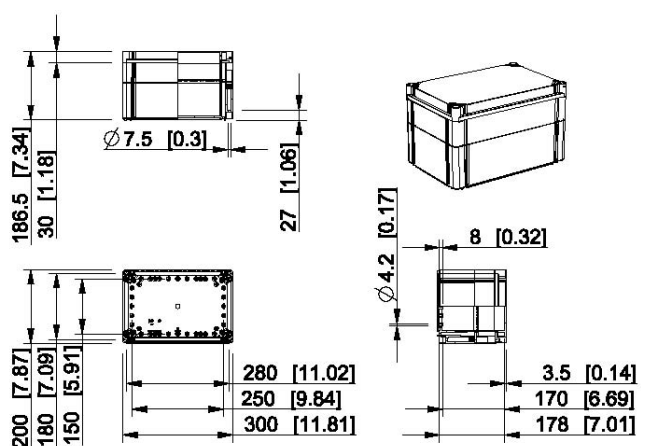
Grey cover	Transparent cover	Description
OPCP202018G	OPCP202018T	Plain sides, polycarbonate
OABP202018G	OABP202018T	Plain sides, ABS

## Ensto Cubo O 200 x 300 x 132 mm



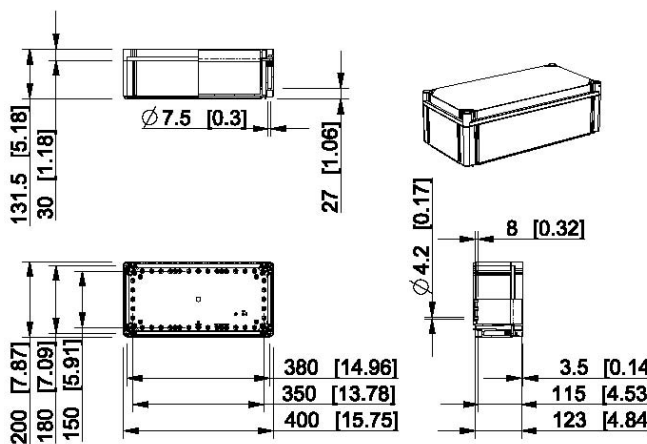
Grey cover	Transparent cover	Description
OPCP203013G	OPCP203013T	Plain sides, polycarbonate
OABP203013G	OABP203013T	Plain sides, ABS

## Ensto Cubo O 200 x 300 x 187 mm



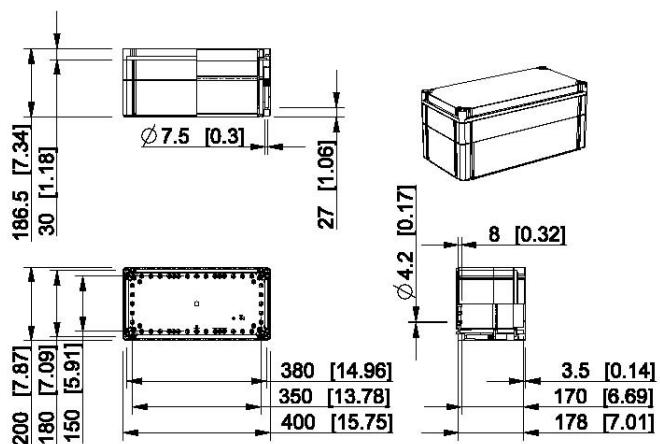
Grey cover	Transparent cover	Description
OPCP203018G	OPCP203018T	Plain sides, polycarbonate
OABP203018G	OABP203018T	Plain sides, ABS

## Ensto Cubo O 200 x 400 x 132 mm



Grey cover	Transparent cover	Description
OPCP204013G	OPCP204013T	Plain sides, polycarbonate
OABP204013G	OABP204013T	Plain sides, ABS

## Ensto Cubo O 200 x 400 x 187 mm

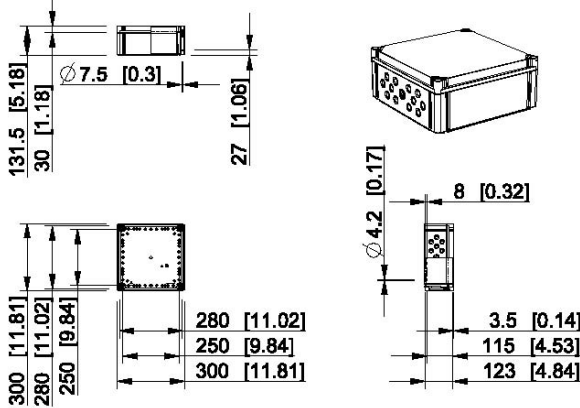


Grey cover	Transparent cover	Description
OPCP204018G	OPCP204018T	Plain sides, polycarbonate
OABP204018G	OABP204018T	Plain sides, ABS

# Dimensional drawings, Ensto Cubo O

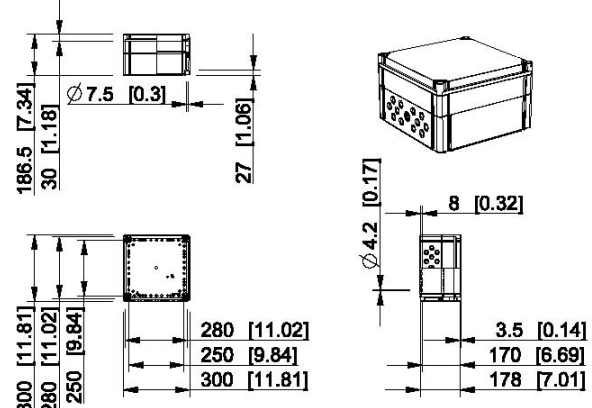
Dimensions in mm [inch]

## Ensto Cubo O 300 x 300 x 132 mm



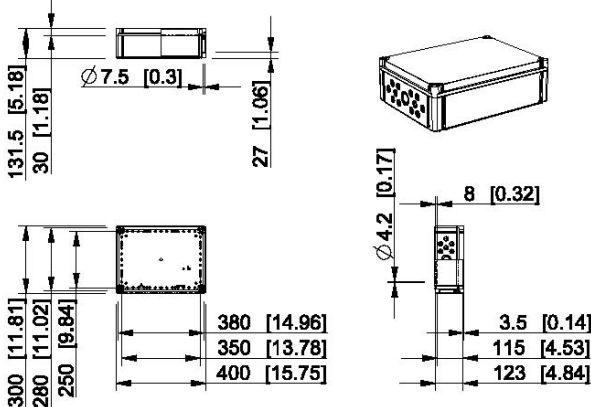
Grey cover	Transparent cover	Description
OPCP303013G	OPCP303013T	Plain sides, polycarbonate
OABP303013G	OABP303013T	Plain sides, ABS
OPCM303013G	OPCM303013T	12 x M20 + 1 x M16/25 + 8 x M20 + 4 x M25/40, PC

## Ensto Cubo O 300 x 300 x 187 mm



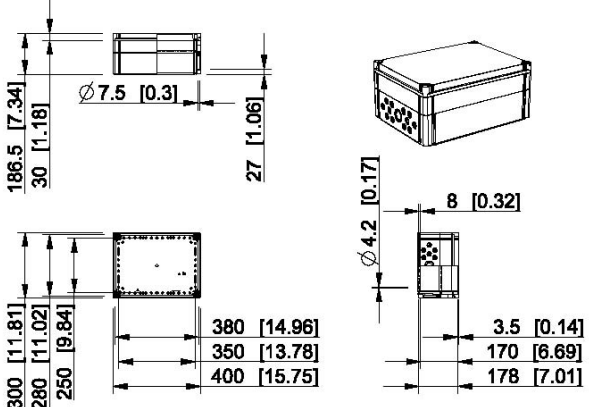
Grey cover	Transparent cover	Description
OPCP303018G	OPCP303018T	Plain sides, polycarbonate
OABP303018G	OABP303018T	Plain sides, ABS
OPCM303018G	OPCM303018T	12 x M20 + 1 x M16/25 + 8 x M20 + 4 x M25/40, PC

## Ensto Cubo O 300 x 400 x 132 mm



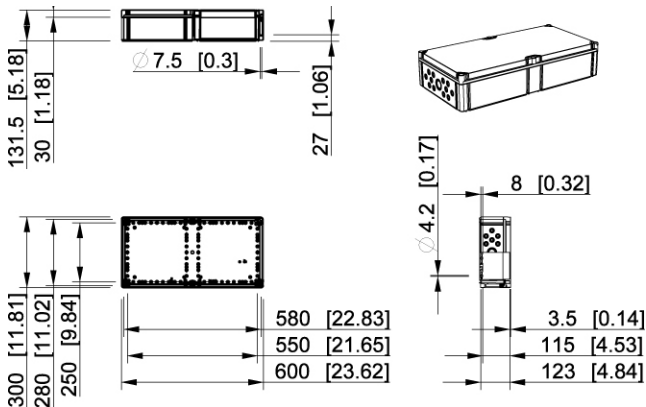
Grey cover	Transparent cover	Description
OPCP304013G	OPCP304013T	Plain sides, polycarbonate
OABP304013G	OABP304013T	Plain sides, ABS
OPCM304013G	OPCM304013T	8 x M12/20 + 5 x M16/25 + 12 x M12/20 + 1 x M32/40, PC

## Ensto Cubo O 300 x 400 x 187 mm



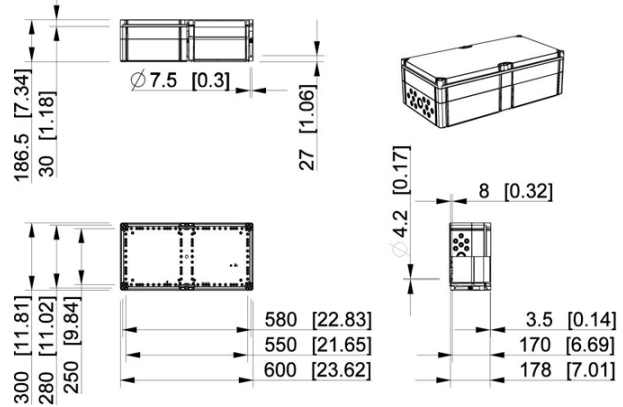
Grey cover	Transparent cover	Description
OPCP304018G	OPCP304018T	Plain sides, polycarbonate
OABP304018G	OABP304018T	Plain sides, ABS
OPCM304018G	OPCM304018T	8 x M12/20 + 5 x M16/25 + 12 x M12/20 + 1 x M32/40, PC

## Ensto Cubo O 300 x 600 x 132 mm



Grey cover	Transparent cover	Description
OPCP306013G	OPCP306013T	Plain sides, polycarbonate
OABP306013G	OABP306013T	Plain sides, ABS
OPCM306013G	OPCM306013T	8 x M12/20 + 5 x M16/25 + 12 x M12/20 + 1 x M32/40, PC

## Ensto Cubo O 300 x 600 x 187 mm

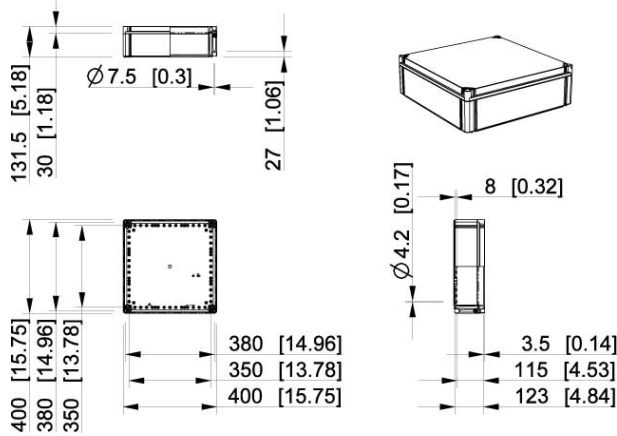


Grey cover	Transparent cover	Description
OPCP306018G	OPCP306018T	Plain sides, polycarbonate
OABP306018G	OABP306018T	Plain sides, ABS
OPCM306018G	OPCM306018T	8 x M12/20 + 5 x M16/25 + 12 x M12/20 + 1 x M32/40, PC

# Dimensional drawings, Ensto Cubo O

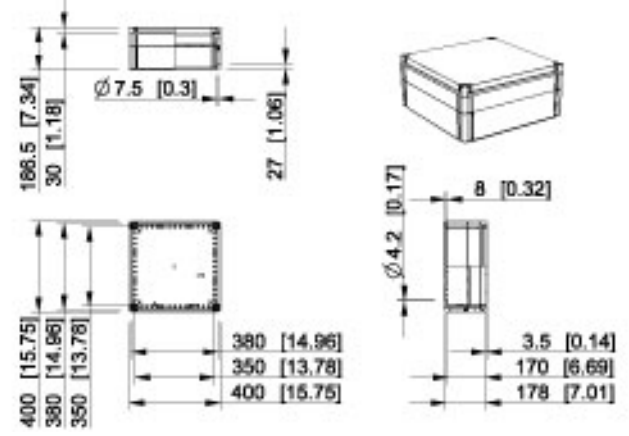
Dimensions in mm [inch]

## Ensto Cubo O 400 x 400 x 132 mm



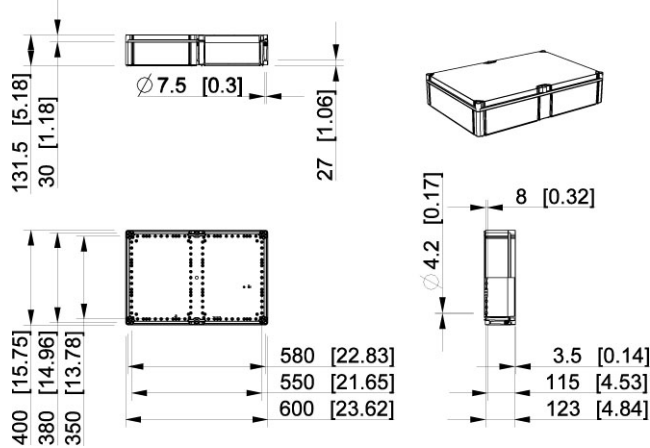
Grey cover	Transparent cover	Description
OPCP404013G	OPCP404013T	Plain sides, polycarbonate
OABP404013G	OABP404013T	Plain sides, ABS

## Ensto Cubo O 400 x 400 x 187 mm



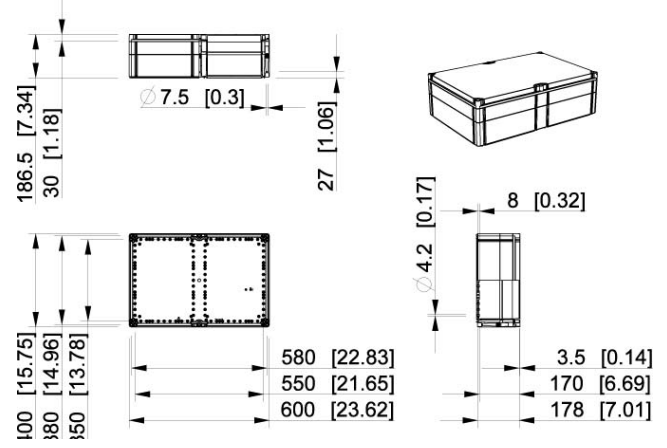
Grey cover	Transparent cover	Description
OPCP404018G	OPCP404018T	Plain sides, polycarbonate
OABP404018G	OABP404018T	Plain sides, ABS

## Ensto Cubo O 400 x 600 x 132 mm



Grey cover	Transparent cover	Description
OPCP406013G	OPCP406013T	Plain sides, polycarbonate
OABP406013G	OABP406013T	Plain sides, ABS

## Ensto Cubo O 400 x 600 x 187 mm



Grey cover	Transparent cover	Description
OPCP406018G	OPCP406018T	Plain sides, polycarbonate
OABP406018G	OABP406018T	Plain sides, ABS