

Ensto Compact switch-disconnectors, panel and DIN rail mounted

Ensto Compact switch-disconnectors, 3-pole, panel and DIN rail mounted

PRODUCT CODE	AMPERAGE (A)	CONDUCTOR CROSS-SECTION (MM ²)	TIGHTENING TORQUE (Nm)	MOUNTING	SIZE (MM)	WEIGHT (KG)	PACKAGE SIZE (PCS)	EAN 13 CODE
3-pole with direct handle								
KS3.16	3 x 16 A	Cu 1.5-16 mm ²	2 Nm	Din rail/screw	36 x 80 x 76	0.133	50	6418677171345
KS3.20	3 x 20 A	Cu 1.5-16 mm ²	2 Nm	Din rail/screw	36 x 80 x 76	0.133	50	6418677171352
KS3.25	3 x 25 A	Cu 1.5-16 mm ²	2 Nm	Din rail/screw	36 x 80 x 76	0.133	50	6418677170003
KS3.32	3 x 32 A	Cu 1.5-16 mm ²	2 Nm	Din rail/screw	36 x 80 x 76	0.133	50	6418677171420
KS3.40	3 x 40 A	Cu 1.5-16 mm ²	2 Nm	Din rail/screw	36 x 80 x 76	0.133	50	6418677170010
KS3.63	3 x 63 A	Cu 1.5-16 mm ²	2 Nm	Din rail/screw	36 x 80 x 76	0.133	50	6418677170027
KSM3.63	3 x 63 A	Cu 10-50 mm ²	4 Nm	Din rail/screw	52 x 100 x 80	0.266	50	6418677169748
KSM3.80	3 x 80 A	Cu 10-50 mm ²	4 Nm	Din rail/screw	52 x 100 x 80	0.266	50	6418677169755
KSM3.100	3 x 100 A	Cu 10-50 mm ²	4 Nm	Din rail/screw	52 x 100 x 80	0.266	50	6418677169762
KSM3.125	3 x 125 A	Cu 10-50 mm ²	4 Nm	Din rail/screw	52 x 100 x 80	0.266	50	6418677169779
3-pole, yellow with red handle								
KS3.16RY	3 x 16 A	Cu 1.5-16 mm ²	2 Nm	Din rail/screw	36 x 80 x 76	0.133	50	6418677171444
KS3.20RY	3 x 20 A	Cu 1.5-16 mm ²	2 Nm	Din rail/screw	36 x 80 x 76	0.133	50	6418677171451
KS3.25RY	3 x 25 A	Cu 1.5-16 mm ²	2 Nm	Din rail/screw	36 x 80 x 76	0.133	50	6418677171468
KS3.32RY	3 x 32 A	Cu 1.5-16 mm ²	2 Nm	Din rail/screw	36 x 80 x 76	0.133	50	6418677171475
KS3.40RY	3 x 40 A	Cu 1.5-16 mm ²	2 Nm	Din rail/screw	36 x 80 x 76	0.133	50	6418677171482
KS3.63RY	3 x 63 A	Cu 1.5-16 mm ²	2 Nm	Din rail/screw	36 x 80 x 76	0.133	50	6418677171499
KSM3.63RY	3 x 63 A	Cu 10-50 mm ²	4 Nm	Din rail/screw	52 x 100 x 80	0.266	50	6418677169847
KSM3.80RY	3 x 80 A	Cu 10-50 mm ²	4 Nm	Din rail/screw	52 x 100 x 80	0.266	50	6418677169854
KSM3.100RY	3 x 100 A	Cu 10-50 mm ²	4 Nm	Din rail/screw	52 x 100 x 80	0.266	50	6418677169861
KSM3.125RY	3 x 125 A	Cu 10-50 mm ²	4 Nm	Din rail/screw	52 x 100 x 80	0.266	50	6418677169878
3-pole without handle								
KS31.16	3 x 16 A	Cu 1.5-16 mm ²	2 Nm	Din rail/screw	36 x 80 x 70	0.129	50	6418677171284
KS31.20	3 x 20 A	Cu 1.5-16 mm ²	2 Nm	Din rail/screw	36 x 80 x 70	0.129	50	6418677171291
KS31.25	3 x 25 A	Cu 1.5-16 mm ²	2 Nm	Din rail/screw	36 x 80 x 70	0.129	50	6418677171307
KS31.32	3 x 32 A	Cu 1.5-16 mm ²	2 Nm	Din rail/screw	36 x 80 x 70	0.129	50	6418677171314
KS31.40	3 x 40 A	Cu 1.5-16 mm ²	2 Nm	Din rail/screw	36 x 80 x 70	0.129	50	6418677171321
KS31.63	3 x 63 A	Cu 1.5-16 mm ²	2 Nm	Din rail/screw	36 x 80 x 70	0.129	50	6418677171338
KSM31.63	3 x 63 A	Cu 10-50 mm ²	4 Nm	Din rail/screw	52 x 100 x 70	0.260	50	6418677169700
KSM31.80	3 x 80 A	Cu 10-50 mm ²	4 Nm	Din rail/screw	52 x 100 x 70	0.260	50	6418677169717
KSM31.100	3 x 100 A	Cu 10-50 mm ²	4 Nm	Din rail/screw	52 x 100 x 70	0.260	50	6418677169724
KSM31.125	3 x 125 A	Cu 10-50 mm ²	4 Nm	Din rail/screw	52 x 100 x 70	0.260	50	6418677169731



KS3.16



KSM3.63



KS3.16RY



KSM31.63

Ensto Compact switch-disconnectors, 3-pole with factory-mounted switched neutral pole and handle

PRODUCT CODE	AMPERAGE (A)	CONDUCTOR CROSS-SECTION (MM ²)	TIGHTENING TORQUE (Nm)	MOUNTING	SIZE (MM)	WEIGHT (KG)	PACKAGE SIZE (PCS)	EAN 13 CODE
KS3.40N	3 x 40 A	Cu 1.5-16 mm ²	2 Nm	Din rail/screw	49 x 80 x 76	0.177	50	6438100099343
KS3.63N	3 x 63 A	Cu 1.5-16 mm ²	2 Nm	Din rail/screw	49 x 80 x 76	0.177	50	6438100099350
KSM3.80N	3 x 80 A	Cu 10-50 mm ²	4 Nm	Din rail/screw	70 x 100 x 80	0.362	50	6438100099381
KSM3.100N	3 x 100 A	Cu 10-50 mm ²	4 Nm	Din rail/screw	70 x 100 x 80	0.362	50	6438100099398



KS3.40N

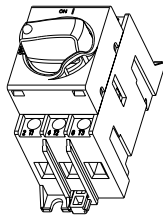
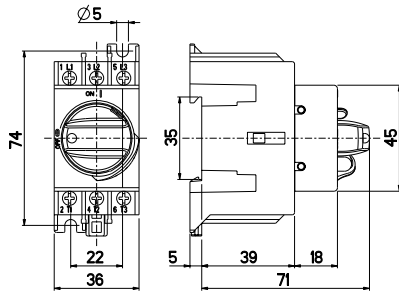


KSM3.80N

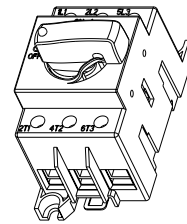
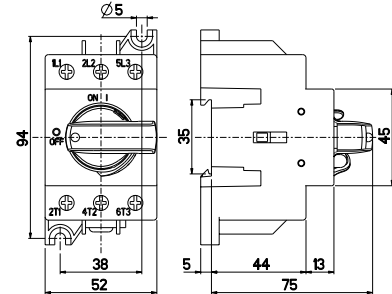
Technical drawings, Ensto Compact switch-disconnectors

Dimensions in mm

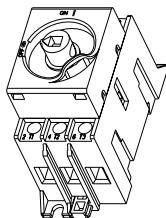
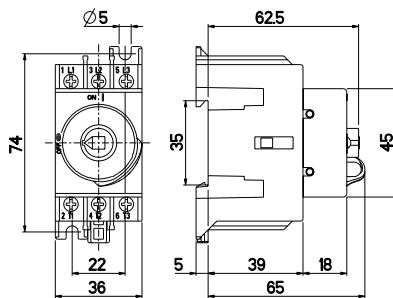
KS3.xx, KS3.xxRY



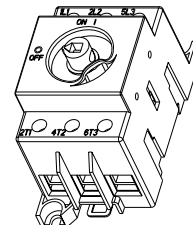
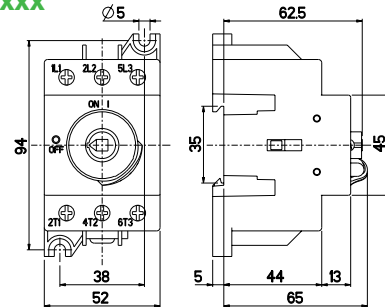
KSM3.xxx, KSM3.xxxRY



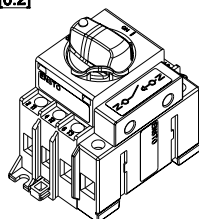
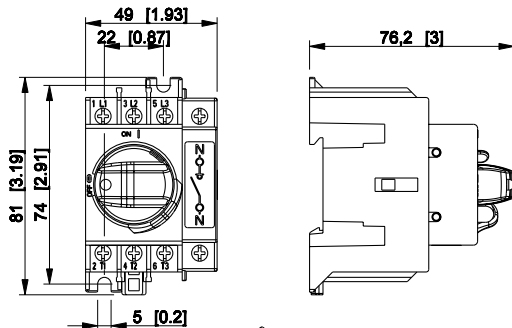
KS31.xx



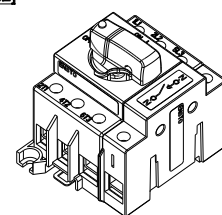
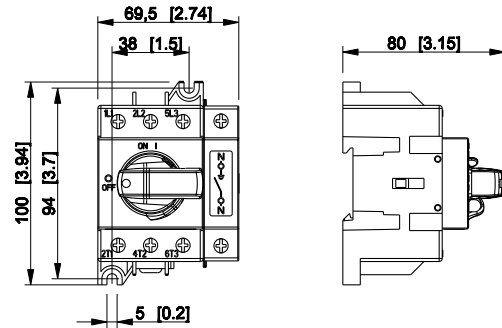
KSM31.xxx



KS3.40N, KS3.63N



KSM3.80N, KSM3.100N



Ensto Compact switch-disconnectors, table 1/2

Electrical and mechanical characteristics according to EN 60947-3

		3-pole		KS3.25		KS3.32		KS3.40		KS3.40N		KS3.63		KS3.63N		
		KS3.16	KS3.20	KS3.25	KS3.32	KS3.40	KS3.40N	KS3.63	KS3.63N							
		KS31.16	KS31.20	KS31.25	KS31.32	KS31.40		KS31.63								
		KS13.16	KS13.20	KS13.25	KS13.32	KS13.40		KS13.63								
		4th pole		KS11.25		KS11.32		KS11.40				KS11.63		KS11N		
		KS11.16	KS11.20	KS11.25	KS11.32	KS11.40		KS11.63				KS11.63		KS11N		
		KS11.16	KS11.20	KS11.25	KS11.32	KS11.40		KS11.63				KS11.63		KS11N		
Conventional free air thermal current I _{th}	A	16	20	25	32	40	40	63	63			63		63		
Rated insulation voltage U _i	V	800	800	800	800	800	800	800	800			800		800		
Rated impulse withstand voltage U _{imp}	kV	8	8	8	8	8	6	8	6			6		6		
Rated operational current I _e 415V	A	16	20	25	32	40	40	63	63			63		63		
AC 21 A	500V	A	16	20	25	32	40	40	63	63			63		63	
	690V	A	16	20	25	32	40	40	63	63			63		63	
AC 22 A	415V	A	16	20	25	32	40	40	63	63			63		63	
	500V	A	16	20	25	32	40	40	63	63			63		63	
	690V	A	16	20	25	32	40	40	63	63			63		63	
AC 23 A	415V	A	16	20	25	32	40	40	63	63			63		63	
	500V	A	16	20	25	32	40	40	40	40			40		40	
	690V	A	16	20	25	25	25	25	25	25			25		25	
Rated operational power P _e 415V	kW	7.5	7.5	11	15	18.5	18.5	30	30			30		30		
AC 23 A	500V	kW	7.5	11	15	18.5	22	22	22	22			22		22	
(for standard motor)	690V	kW	11	15	22	22	22	22	22	22			22		22	
Short-circuit characteristics (415 VAC)																
Rated short-time withstand current, 1s, I _{cw}	Arms	1260	1260	1260	1260	1260	1260	1260	1260	1260			1260		1260	
Rated conditional short-circuit current	kArms	50	50	50	50	50	50	20/50	20/50	20/50			20/50		20/50	
Max. fuse (gG)	A	16	20	25	32	40	40	63/40	63/40	63/40			63/40		63/40	
Max. cut-off current	kA _{peak}	6	6	6	6	6	6	6/6	6/6	6/6			6/6		6/6	
Max. Joule integral	kA ² s	6.8	6.8	6.8	6.8	6.8	6.8	15/6.8	15/6.8	15/6.8			15/6.8		15/6.8	
Making and breaking characteristics																
Making capacity	415V AC 23 A	A	160	200	250	320	400	400	630	630			630		630	
Breaking capacity	415V AC 23 A	A	128	160	200	256	320	320	504	504			504		504	
Endurance (number of operations)																
Mechanical			100 000	100 000	100 000	100 000	100 000	100 000	100 000	100 000			100 000		100 000	
Electrical			3 000	3 000	3 000	3 000	3 000	3 000	3 000	3 000			3 000		3 000	
Terminals (Cu)	mm ²	1.5-16	1.5-16	1.5-16	1.5-16	1.5-16	1.5-16	1.5-16	1.5-16	1.5-16			1.5-16		1.5-16	
Tightening torque	Nm	2	2	2	2	2	2	2	2	2			2		2	